

# Genyo plus

ELECTRONIC PRESSURE SWITCH WITH INTEGRATED PRESSURE GAUGE  
AND COMPLETE PUMP PROTECTION

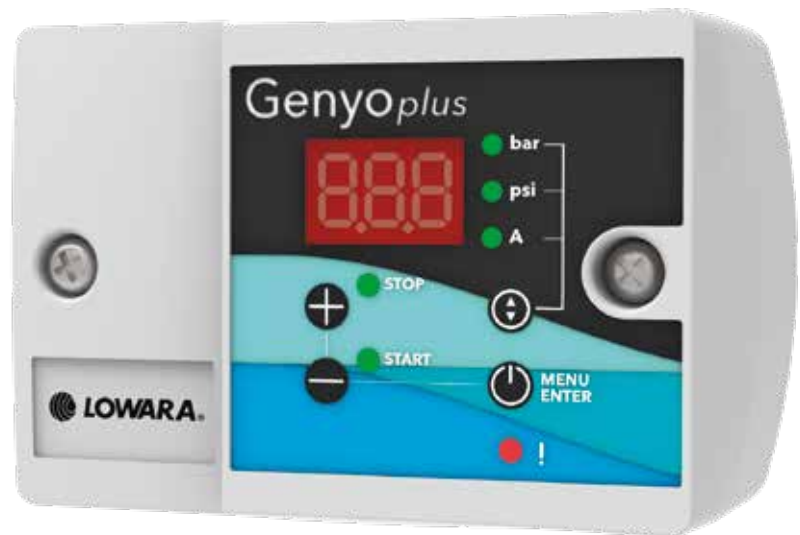
# Genyo *plus*

Genyo *plus* is an electronic pressure switch with an integrated digital pressure gauge and complete pump protection set. It can manage the start and stop of single-phase electric pumps up to 3 HP (2.2 kW). Three operating modes (differential, reverse and synchronized) provide extreme versatility.

Cut-in and cut-out pressure set points can be easily and accurately set through a user-friendly interface. Genyo *plus* includes also instantaneous current reading as well as overcurrent, dry-running and fast cycling protection. Genyo *plus* is WRAS certified for drinking water use, and can work in parallel with another unit to control two-pump booster sets.

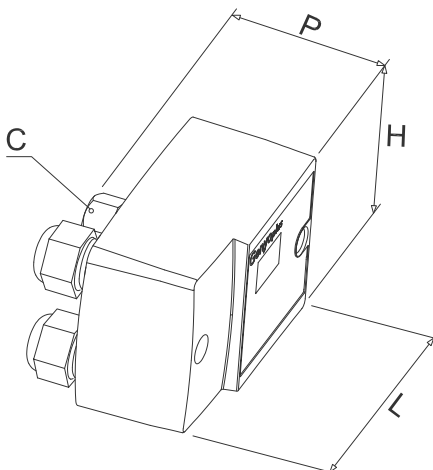
## COMPLETE PUMP PROTECTION

- Dry-running protection with automatic reset test
- Overcurrent protection
- Fast-cycle protection: when the hydro pneumatic tank has lost the air and frequent start-stops are produced an alarm is activated



## DIMENSIONS

<b>L=</b>	112 mm (4,4 in)
<b>H=</b>	75 mm (2,95 in)
<b>P=</b>	75,1 mm (2,96 in)
<b>C=</b>	Rp 1/4"



## TECHNICAL CHARACTERISTICS

Power supply	1 X 115-230 V
Frequency	50/60 Hz
Max. Current	16 A
Maximum pump power	2,2 Kw (3 HP)
Starting pressure range (cut-in)	0,5 - 7 bar
Starting pressure range (cut-out)	1 - 8 bar
Maximum differential	7,5 bar
Minimum differential (adjustable)	0,5 - 1,5 bar
Protection degree	IP55
Max. environment temperature	50°C



## Gardening

Genyo *plus* can be combined to any surface pump (up to 2,2kW single phase) to provide a gardening irrigation system with the appropriate pressure.

## Groundwater supply

Genyo *plus* is the ideal solution to provide the right pressure to groundwater, supplying toilets, washing machines and other appliances.



## Drinking water supply

Genyo *plus* can be applied to any 2-pump booster set managing the cyclic exchange between the two pumps and balancing operating times.

# Xylem |'zīləm|

- 1) The tissue in plants that brings water upward from the roots;
- 2) a leading global water technology company.

We're a global team unified in a common purpose: creating advanced technology solutions to the world's water challenges. Developing new technologies that will improve the way water is used, conserved, and re-used in the future is central to our work. Our products and services move, treat, analyze, monitor and return water to the environment, in public utility, industrial, residential and commercial building services settings. Xylem also provides a leading portfolio of smart metering, network technologies and advanced analytics solutions for water, electric and gas utilities. In more than 150 countries, we have strong, long-standing relationships with customers who know us for our powerful combination of leading product brands and applications expertise with a strong focus on developing comprehensive, sustainable solutions.

**For more information on how Xylem can help you, go to [www.xylem.com](http://www.xylem.com)**



For information and technical support  
Xylem Service Italia Srl

Via Dottor Vittorio Lombardi 14  
36075 - Montecchio Maggiore (VI) - Italy  
Tel. (+39) 0444 707111  
Fax (+39) 0444 491043  
[www.lowara.com](http://www.lowara.com)  
[www.xylem.com](http://www.xylem.com)

Xylem reserves the right to make modification without prior notice.  
Lowara, Flygt and Xylem are trademarks of Xylem Inc. or one of its subsidiaries. © 2019 Xylem, Inc.