

# TECHNICAL DATASHEET



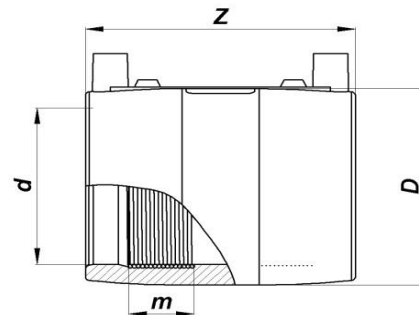
## EF COUPLER

01 Update - 11/2016

### TECHNICAL DATA

Article No	101 117 2160 0025
d (mm)	25
D (mm)	34
Z (mm)	77
m (mm)	18
Weight (Kg)	0,04
Box Quantity (pcs)	80
Box Dimension (cm)	29x48x22


### INJECTION MOULDED



### IDENTIFICATION OF PRODUCT

D(mm)	25
SDR	11
RAW MATERIAL	PE 100
PRESSURE CLASS	16 Bar Water 10 Bar Gas
TRADEMARK	NTG
EXECUTION	Injection Moulded
STANDARD	EN 12201-3 EN 1555-3 AS / NZS 4129
SPECIFICATION	Suitable for SDR11 pipe Removable center stopper 4 mm pin connectors

### EF SPECIFICATION

WELDING VOLTAGE	40 V
RESISTANCE	7.7 $\Omega$
WELDING TIME	30 Sec
COOLING TIME	3 Min
WINDING TYPE	Monofilar
WELDING BARCODE	

Tolerance on diameters and thickness according to the standards. The other dimensions are specialized. Tolerance  $\pm 5\%$ . NTG PLASTIK reserves all the right to change any information without giving prior notice. The production, distribution and utilization of this document without explicit authorization is prohibited.