

Product description



Customer
Customer no.
Contact
Care of

Project
Project no.

Page
Date

1 / 3
2023-09-25

Pos.n	Qty.	Item no.	Description	UP / EUR	TP / EUR
1			Premium high-efficiency heating circulation pumps		
1.1	2	7000001848	<p>Centrifugal pump: PrimAX 15-8 130 RED T2</p> <p>Biral Heat circulation pump PrimAX 15-8 130 RED T2 Inkl. thermal insulation shells, Biral Connector and angled connector EEL ; 1x230V</p> <p>High-efficiency built in pipe pump with permanent magnet motor for feeding hot water according to VDI 2035, with continuous speed control for: -Proportional pressure pp -Constant pressure cp -Constant speed cs</p> <p>Feed medium : Water Feed height : Feed volume : Media temperature min. : + 2°C Media temperature max. : + 110°C</p> <p>Ambient temperature : 0 - 40°C Max. operating pressure : 10 bar Diameter nominal : DN Installation lenght : 130 mm Flange connection : G 1" Rohranschluss : Rp 1"</p> <p>Voltage : 230 V Frequency : 50 / 60 Hz Motor input : 0,003 kW...0,05 kW Nominal current : 0,03 A...0,41 A Type of protection : IP X4D Insulation class : F (155°C) Motor protection :Integrated</p> <p>Pump casing : grey cast iron Impeller : PES 30%GF</p> <p>-Power input display -Flow rate display (m³/h) -Flow indicator -Button lock -Operating status display -Fault display</p> <p>Gross weight : 1,8 kg</p>	Price on req.	Price on req.

Performance Curves

PrimAX 15-8 130 RED T2



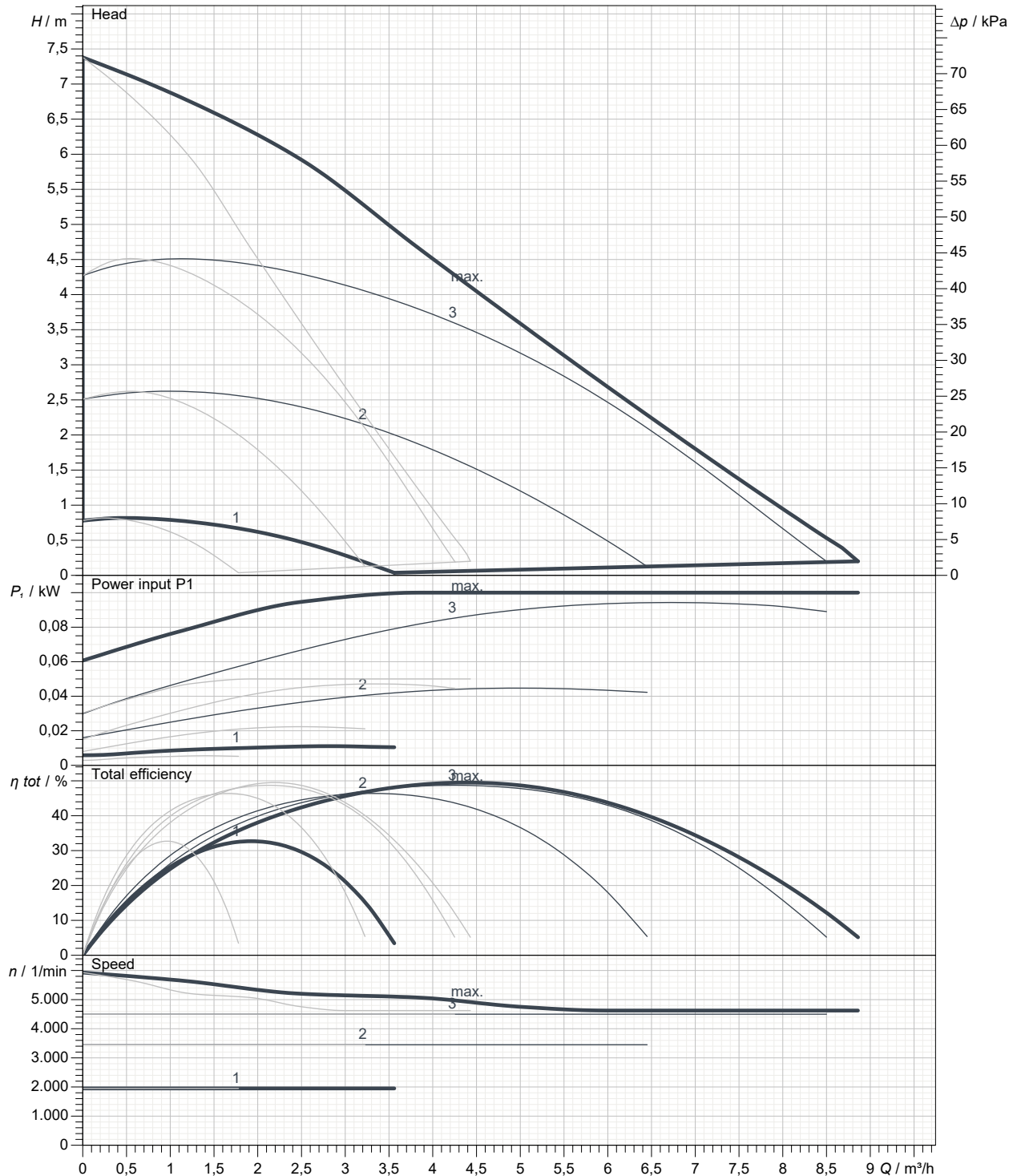
Customer
Customer no.
Contact
Care of

Project
Project no.
Position 1
Location

Page 2 / 3
Date 2023-09-25

Impeller										Impeller type	
Eff.	Ø mm	Delivery Flow			Delivery Head		Shaft Power P2			Impeller design	Direction of rotation Clockwise from the drive end
		Operating Range Min. m³/h	Max. m³/h	η Max. m³/h	H(Q=0) m	η Max. m	P2(Q=0) kW	Max. kW	η Max. kW		
		0	4,43	2,19	7,38	4,15		0,0347		Bearing bracket	
Min.	0	/	/							Outlet width	mm
Max.	0	/	/							Frequency	Hz
										Speed	1/mir
											5.930

Power data referred to: Water; 20°C; 998,3kg/m³; 1,005mm²/s



Customer
Customer no.
Contact
Care of

Project
Project no.
Position 1
Location

Page 3 / 3
Date 2023-09-25

PrimAX 15-8 130 RED T2 7000001848
Premium high-efficiency heating circulation pumps

Requested data

Flow
Head
Fluid Water
Temperature 20 °C
Working pressure 1.000 kPa

Operating data

Flow
Head
Permitted working pressure
Min. fluid temperature 2 °C
Max. fluid temperature 110 °C

Required working pressure

Values are valid for hot water,
Altitude 500m above sea level.
Changing of required working pressure at +/- 0.01bar
per +/- 100m altitude above sea level.

75 °C	90 °C	110 °C
5 kPa	28 kPa	108 kPa

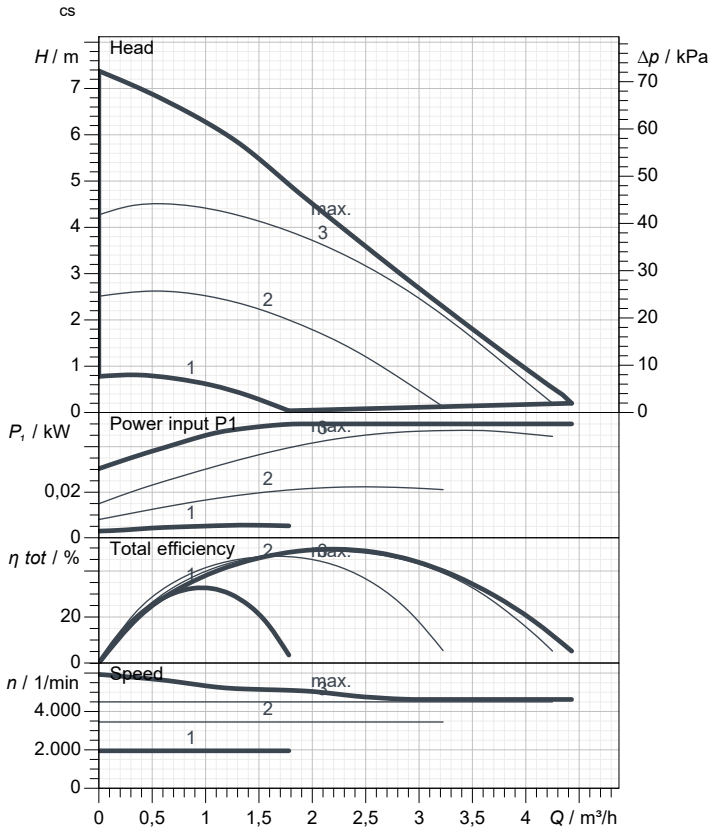
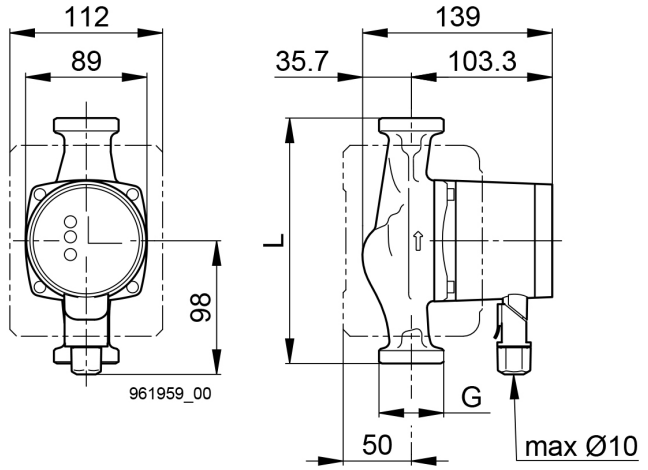
Pump data

Installation dimension	130 mm
Rated voltage	1~230 V 50 Hz
Rated current	0,41 A
Leistungsaufnahme P1	0,060 kW
Insulation class	F
Degree of protection	IP X4D
Weight	1,8 kg

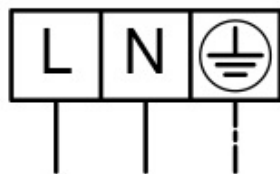
**Short-circuit-proof motor doesn't
required overload protection.**

Materials

Pump casing	Cast iron
Impeller	PES
Can	Stainless steel
Dichtung	EPDM
slide bearing	Ceramic
Shaft	Ceramic



Electrical connection



AC in
~1x230V ± 10%
50/60 Hz

961958_00

L, PE, N Power supply

Remarks: