

Product description



Customer
Customer no.
Contact
Care of

Project
Project no.

Page
Date

1 / 2
2023-09-25

Pos.n	Qty.	Item no.	Description	UP / EUR	TP / EUR
6 Premium high-efficiency heating circulation pumps					
6.1	1	7000001847	<p>Centrifugal pump: PrimAX 15-6 130 RED T2</p> <p>Biral Heat circulation pump PrimAX 15-6 130 RED T2 Inkl. thermal insulation shells, Biral Connector and angled connector EEL ; 1x230V</p> <p>High-efficiency built in pipe pump with permanent magnet motor for feeding hot water according to VDI 2035, with continuous speed control for: -Proportional pressure pp -Constant pressure cp -Constant speed cs</p> <p>Feed medium : Water Feed height : Feed volume : Media temperature min. : + 2°C Media temperature max. : + 110°C</p> <p>Ambient temperature : 0 - 40°C Max. operating pressure : 10 bar Diameter nominal : DN Installation lenght : 130 mm Flange connection : G 1" Rohranschluss : Rp 1"</p> <p>Voltage : 230 V Frequency : 50 / 60 Hz Motor input : 0,003 kW...0,034 kW Nominal current : 0,03 A...0,27 A Type of protection : IP X4D Insulation class : F (155°C) Motor protection :Integrated</p> <p>Pump casing : grey cast iron Impeller : PES 30%GF</p> <p>-Power input display -Flow rate display (m³/h) -Flow indicator -Button lock -Operating status display -Fault display</p> <p>Gross weight : 1,8 kg</p>	Price on req.	Price on req.

Total Price **Price on req.**

Customer
Customer no.
Contact
Care of

Project
Project no.
Position 6
Location

Page 2 / 2
Date 2023-09-25

PrimAX 15-6 130 RED T2 7000001847
Premium high-efficiency heating circulation pumps

Requested data

Flow
Head
Fluid Water
Temperature 20 °C
Working pressure 1.000 kPa

Operating data

Flow
Head
Permitted working pressure
Min. fluid temperature 2 °C
Max. fluid temperature 110 °C

Required working pressure

Values are valid for hot water,
Altitude 500m above sea level.
Changing of required working pressure at +/- 0.01bar
per +/- 100m altitude above sea level.
75 °C 90 °C 110 °C
5 kPa 28 kPa 108 kPa

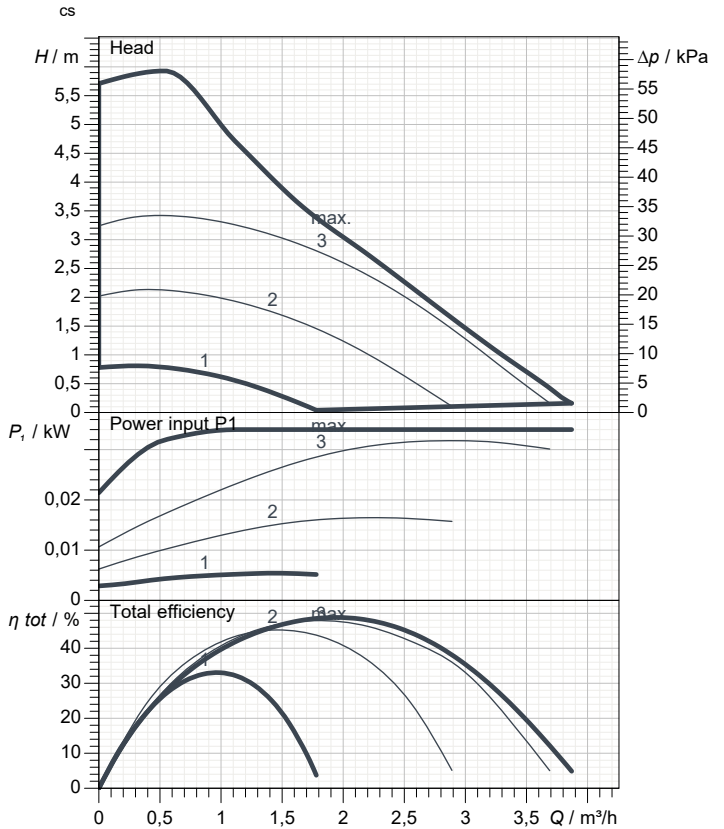
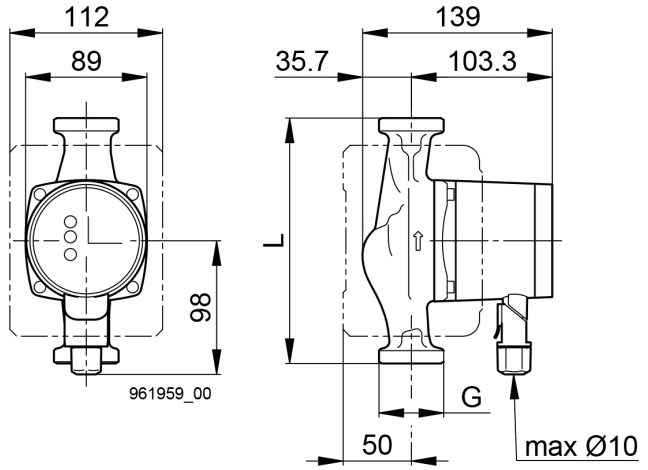
Pump data

Installation dimension 130 mm
Rated voltage 1~230 V 50 Hz
Rated current 0,27 A
Leistungsaufnahme P1 0,050 kW
Insulation class F
Degree of protection IP X4D
Weight 1,8 kg

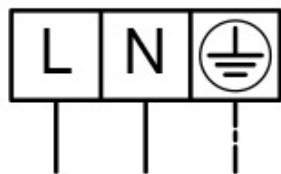
**Short-circuit-proof motor doesn't
required overload protection.**

Materials

Pump casing Cast iron
Impeller PES
Can Stainless steel
Dichtung EPDM
slide bearing Ceramic
Shaft Ceramic



Electrical connection



AC in
~1x230V ± 10%
50/60 Hz

961958_00

L, PE, N Power supply

Remarks: