

Product description



Customer
Customer no.
Contact
Care of

Project
Project no.

Page
Date

1 / 2
2023-09-26

Pos.n	Qty.	Item no.	Description	UP / EUR	TP / EUR
11			Premium high-efficiency heating circulation pumps		
11.1	1	NBT2021129	<p>Centrifugal pump: ModuIA 50-18 270 RED noBT/T2 M</p> <p>Biral Heat circulation pump ModuIA 50-18 270 RED noBT/T2 M without Bluetooth Connect Inkl. thermal insulation shells EEL <=0,17; 1x230V</p> <p>High-efficiency built in pipe pump with permanent magnet motor for feeding hot water according to VDI 2035, with continuous speed control for: -Proportional pressure pp -Constant pressure cp -Constant speed cs</p> <p>Feed medium : Water Feed height : Feed volume : Medium temperature : 15 °C...110 °C</p> <p>Ambient temperature : 0 - 40°C Max. operating pressure : 1.600 kPa Diameter nominal : DN 50 Installation lenght : 270 mm Flange connection : PN 6/16</p> <p>Voltage : 1~230 V Frequency : 50 / 60 Hz Motor input : 0,021 kW...0,767 kW Nominal current : 0,24 A...3,44 A Type of protection : IP X4D Insulation class : F (155°C) Motor protection :Integrated</p> <p>Pump casing : grey cast iron Impeller : PES 30%GF</p> <p>-Fault or status message (switchable) -External OFF/ON (switchable) -Power Limit (can be activated) -Operating status display</p> <p>Gross weight : 18,8</p> <p>Available as option: - BIM Biral Interface Module - Kit for recessed installation of electronics</p>	Price on req.	Price on req.

Total Price

Price on req.

Customer
Customer no.
Contact
Care of

Project
Project no.
Position 11
Location

Page 2 / 2
Date 2023-09-26

ModuA 50-18 270 RED noBT/T2 NBT2021129

Premium high-efficiency heating circulation pumps

Requested data

Flow
Head
Fluid **Water**
Temperature **20 °C**
Working pressure **1.000 kPa**

Operating data

Flow
Head
Power input P1
Permitted working pressure **1.600 kPa**
Min. fluid temperature **15 °C**
Max. fluid temperature **110 °C**

Required working pressure

Values are valid for hot water,
Altitude 500m above sea level.
Changing of required working pressure at +/- 0.01bar
per +/- 100m altitude above sea level.

75 °C	95 °C	110 °C
22 kPa	62 kPa	122 kPa

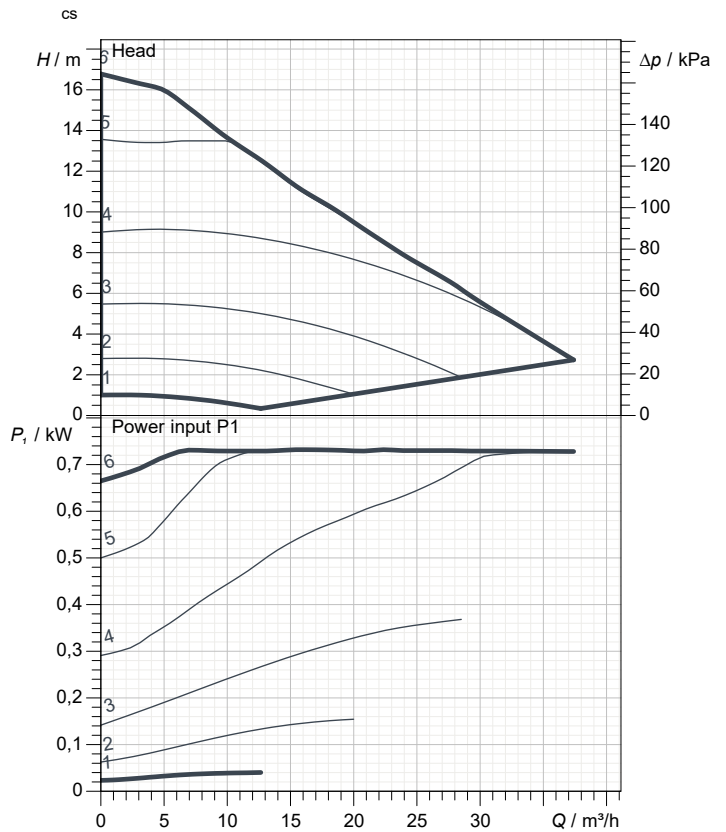
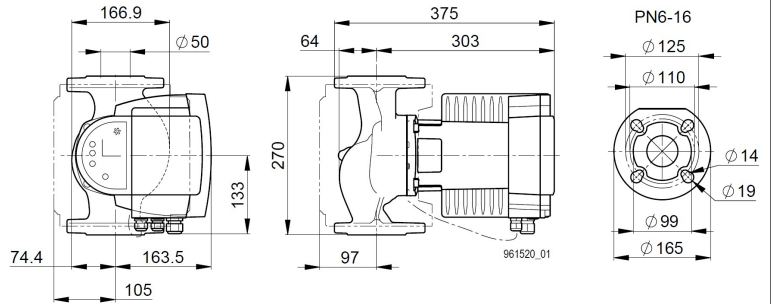
Pump data

Installation dimension **270 mm**
Rated voltage **1~230 V 50 Hz**
Rated current
Leistungsaufnahme P1 **0,850 kW**
Insulation class **F**
Degree of protection **IP X4D**
Weight **18,8 kg**

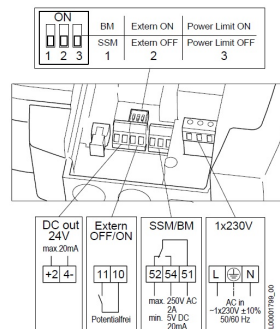
**Short-circuit-proof motor doesn't
required overload protection.**

Materials

Pump casing **Cast iron**
Impeller **PES**
Can **PPS**
Dichtung **EPDM**
slide bearing **Ceramic**
Shaft **Stainless steel**



Electrical connection



Remarks: