

Product description



Customer  
Customer no.  
Contact  
Care of

Project  
Project no.

Page 1 / 2  
Date 2023-09-26

Pos.n	Qty.	Item no.	Description	UP / EUR	TP / EUR
<b>8 Premium high-efficiency heating circulation pumps</b>					
8.1	1	NBT2021123	<p>Centrifugal pump: Modula 40-12 250 RED noBT/T2 M</p> <p>Biral Heat circulation pump Modula 40-12 250 RED noBT/T2 M without Bluetooth Connect Inkl. thermal insulation shells EEL &lt;=0,18; 1x230V</p> <p>High-efficiency built in pipe pump with permanent magnet motor for feeding hot water according to VDI 2035, with continuous speed control for: -Proportional pressure pp -Constant pressure cp -Constant speed cs</p> <p>Feed medium : Water Feed height : Feed volume : Medium temperature : 15 °C...110 °C</p> <p>Ambient temperature : 0 - 40°C Max. operating pressure : 1.600 kPa Diameter nominal : DN 40 Installation lenght : 250 mm Flange connection : PN 6/16</p> <p>Voltage : 1~230 V Frequency : 50 / 60 Hz Motor input : 0,016 kW...0,423 kW Nominal current : 0,17 A...1,93 A Type of protection : IP X4D Insulation class : F (155°C) Motor protection :Integrated</p> <p>Pump casing : grey cast iron Impeller : PES 30%GF</p> <p>-Fault or status message (switchable) -External OFF/ON (switchable) -Power Limit (can be activated) -Operating status display</p> <p>Gross weight : 16,1</p> <p>Available as option: - BIM Biral Interface Module - Kit for recessed installation of electronics</p>	Price on req.	Price on req.

**Total Price**      **Price on req.**

Customer  
Customer no.  
Contact  
Care of

Project  
Project no.  
Position 8  
Location

Page 2 / 2  
Date 2023-09-26

**Modula 40-12 250 RED noBT/T2**      NBT2021123  
Premium high-efficiency heating circulation pumps

**Requested data**

Flow  
Head  
Fluid      Water  
Temperature      20 °C  
Working pressure      1.000 kPa

**Operating data**

Flow  
Head  
Power input P1  
Permitted working pressure      1.600 kPa  
Min. fluid temperature      15 °C  
Max. fluid temperature      110 °C

**Required working pressure**

Values are valid for hot water,  
Altitude 500m above sea level.  
Changing of required working pressure at +/- 0.01bar  
per +/- 100m altitude above sea level.

75 °C	95 °C	110 °C
12 kPa	42 kPa	102 kPa

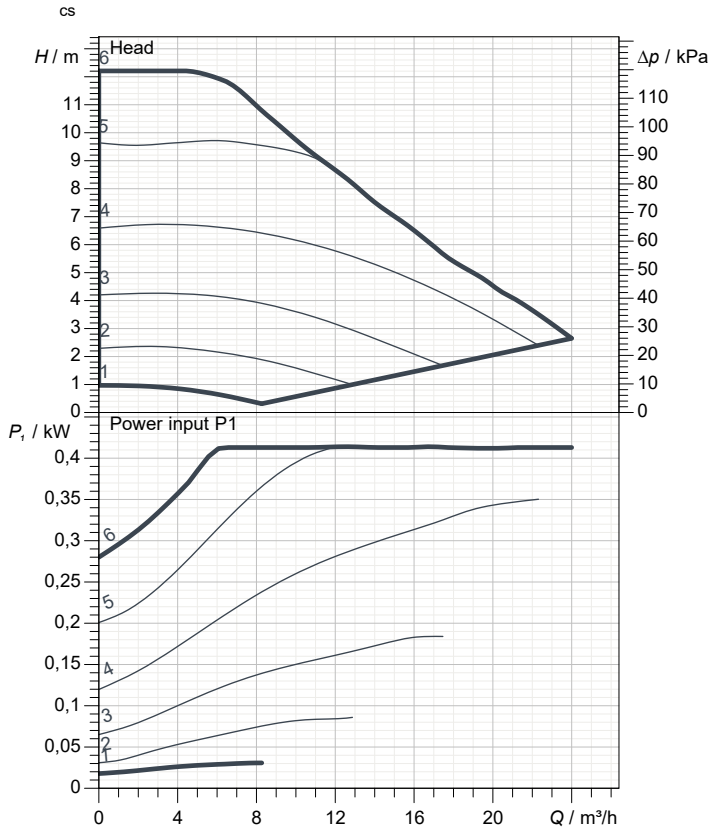
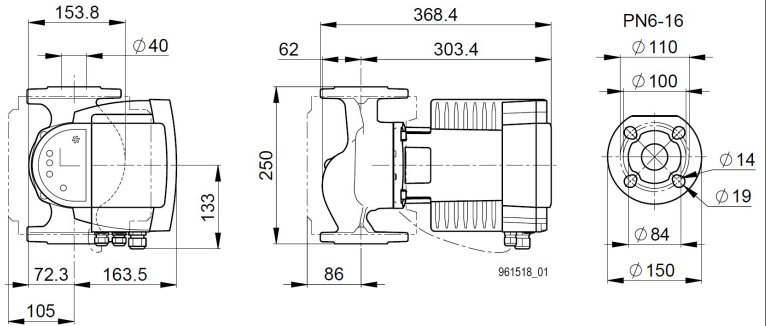
**Pump data**

Installation dimension	250 mm
Rated voltage	1~230 V 50 Hz
Rated current	
Leistungsaufnahme P1	0,850 kW
Insulation class	F
Degree of protection	IP X4D
Weight	16,1 kg

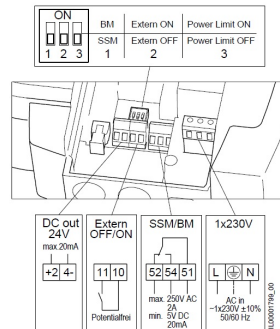
**Short-circuit-proof motor doesn't  
required overload protection.**

**Materials**

Pump casing	Cast iron
Impeller	PES
Can	PPS
Dichtung	EPDM
slide bearing	Ceramic
Shaft	Stainless steel



**Electrical connection**



Remarks: