

Product description



Customer
Customer no.
Contact
Care of

Project
Project no.

Page
Date

1 / 2
2023-09-25

Pos.n	Qty.	Item no.	Description	UP / EUR	TP / EUR
14			Premium high-efficiency heating circulation pumps		
14.1	1	NBT2021102	<p>Centrifugal pump: Modula 25-6 180 RED noBT/T2 S</p> <p>Biral Heat circulation pump Modula 25-6 180 RED noBT/T2 S without Bluetooth Connect Inkl. thermal insulation shells EEI <=0,18; 1x230V</p> <p>High-efficiency built in pipe pump with permanent magnet motor for feeding hot water according to VDI 2035 with continuous speed control for: -Proportional pressure pp -Constant pressure cp -Constant speed cs</p> <p>Feed medium : Water Feed height : Feed volume : Medium temperature : +15 - +110°C</p> <p>Ambient temperature : 0 - 40°C Max. operating pressure : 1.000 kPa Diameter nominal : DN 25 Installation length : 180 mm Threaded connector : G 1 1/2" Pipe connection : Rp 1"</p> <p>Voltage : 1~230 V Frequency : 50 / 60 Hz Motor input : 0,007 kW...0,083 kW Nominal current : 0,08 A...0,62 A Type of protection : IP X4D Insulation class : F (155°C) Motor protection : Integrated</p> <p>Pump casing : grey cast iron Impeller : PES 30%GF</p> <p>-Fault or status message (switchable) -External OFF/ON (switchable) -Power Limit (can be activated) -Operating status display</p> <p>Gross weight : 4,5 kg</p> <p>Available as option: - BIM Biral Interface Module</p>	Price on req.	Price on req.

Total Price **Price on req.**

Customer
Customer no.
Contact
Care of

Project
Project no.
Position 14
Location

Page 2 / 2
Date 2023-09-25

Modula 25-6 180 RED noBT/T2 € NBT2021102

Premium high-efficiency heating circulation pumps

Requested data

Flow
Head
Fluid Water
Temperature 20 °C
Working pressure 1.000 kPa

Operating data

Flow
Head
Power input P1
Permitted working pressure 1.000 kPa
Min. fluid temperature 15 °C
Max. fluid temperature 110 °C

Required working pressure

Values are valid for hot water,
Altitude 500m above sea level.
Changing of required working pressure at +/- 0.01bar
per +/- 100m altitude above sea level.

75 °C	95 °C	110 °C
12 kPa	37 kPa	102 kPa

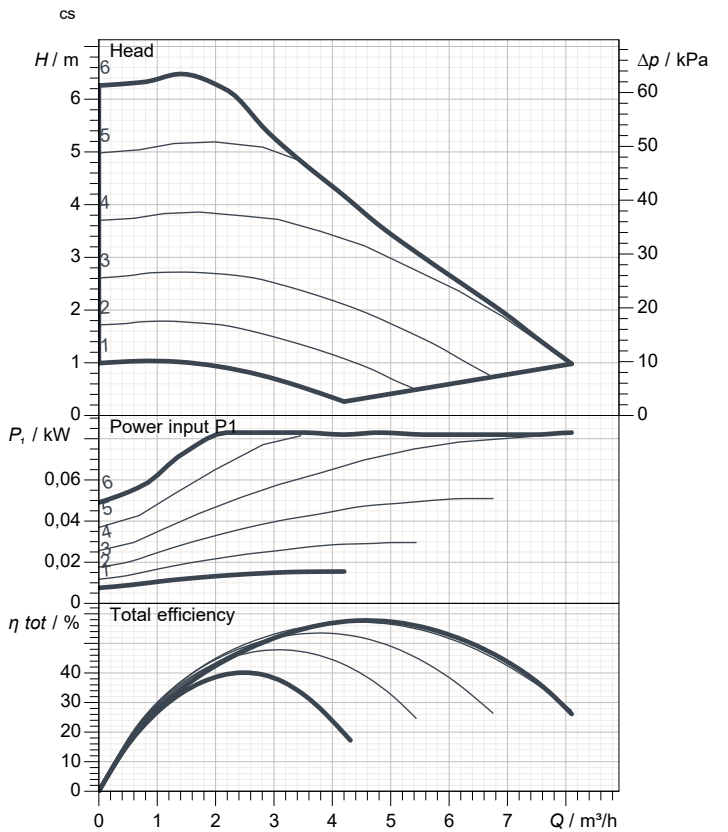
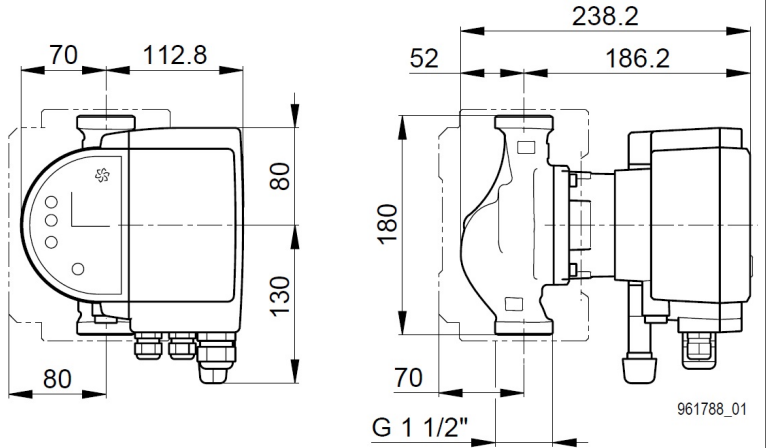
Pump data

Installation dimension 180 mm
Rated voltage 1~230 V 50 Hz
Rated current
Leistungsaufnahme P1 0,200 kW
Insulation class F
Degree of protection IP X4D
Weight 4,5 kg

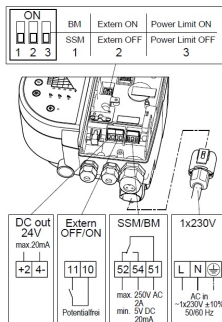
**Short-circuit-proof motor doesn't
required overload protection.**

Materials

Pump casing	Cast iron
Impeller	PES
Can	PPS
Dichtung	EPDM
slide bearing	Ceramic
Shaft	Ceramic



Electrical connection



Remarks: