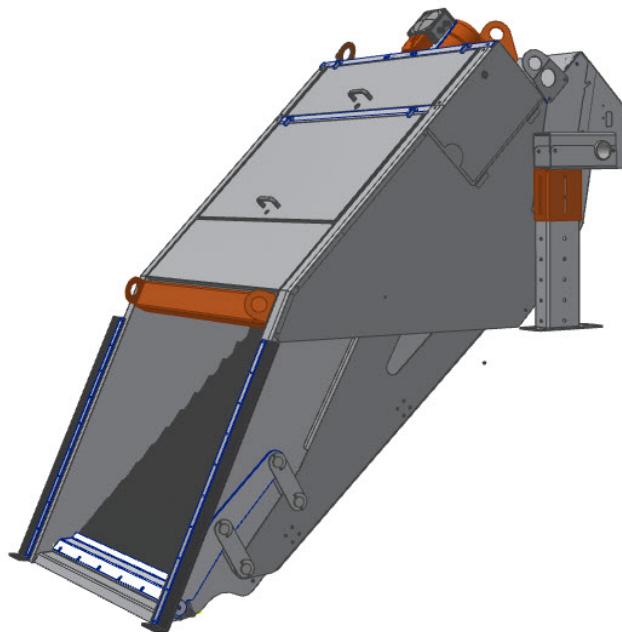


Progressive Stair Screen PSS

- Modern construction from robust stainless high quality materials.
- Totally self cleaning. No spraying or brushes.
- Totally self aligned bars without rakes.
- Easy replaceable strong bars and spacers.
- Flexible mounting angle up to 45 degree.
- Progressive step motion increases separation due to less bar lift motion and sealed bottom step.
- Easy adapted hinged support legs enables quick pivoting out of the channel for service.
- Enclosed, safe & hygienic with easy to open access doors.

Discharge height 700-7000mm
Width 200-2500mm
Bar spacing 0.5-6mm
Capacity 10-10000l/s



Progressive Stair Screen PSS is a mechanical "moving bar" fine screen that separates debris and rubbish from water. PSS is a further development of the conventional step screen concept. PSS progressive step shape and motion pattern increases the separation due to less bar movement which back supports the mat better. The PSS sliding bottom motion also enables a sealed bottom step.

Moving bar step type fine screens has unique capabilities:

A 2-6mm Step Screen can replace a 10-30mm coarse screen in an existing open channel while maintaining the same low headloss, without any need for pre screening.

Progressive Stair Screen PSS is totally self cleaning without flushing or brushes. This gives unrivaled capacity, result and total economy.

Andersson Water has hundreds of international references and has worked with machinery within water treatment for over 20 years.

We offer the most innovative solutions and the most extensive knowledge on screening equipment.

All our products are made acc to ISO & CE standards,
We have strong steel working traditions and high quality culture.
We only use certified materials and welders.