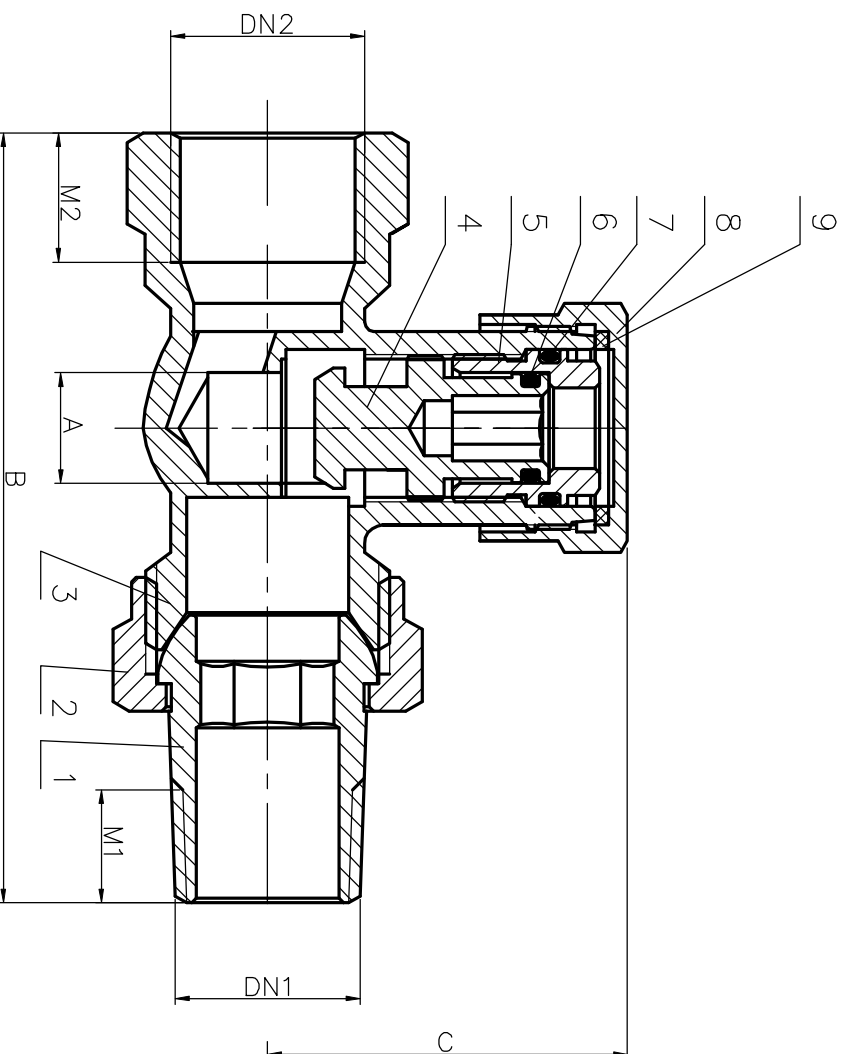


ART. 2627

Brass angle valve for hot water
 Threaded F/M ISO228/1 /ISO7-1
 Temperature: min 0°C
 max +90°C

Nominal pressure: max 10bar
 Sizes: from 3/8" to 1/2"



No	Component	Material
1	union	brass
2	ring	brass
3	body	brass
4	cartridge for valve	brass
5	packing nut	brass
6	O-ring	EPDM
7	O-ring	EPDM
8	Gland	brass
9	Rubber gasket	Rubber NBR

DN1xDN2	R3/8"xG3/8"	R1/2"xG1/2"
A	12	12
B	75.5	84
C	39.5	38.5
M1/M2	9/10	13.5/14.5
PN	10	10