


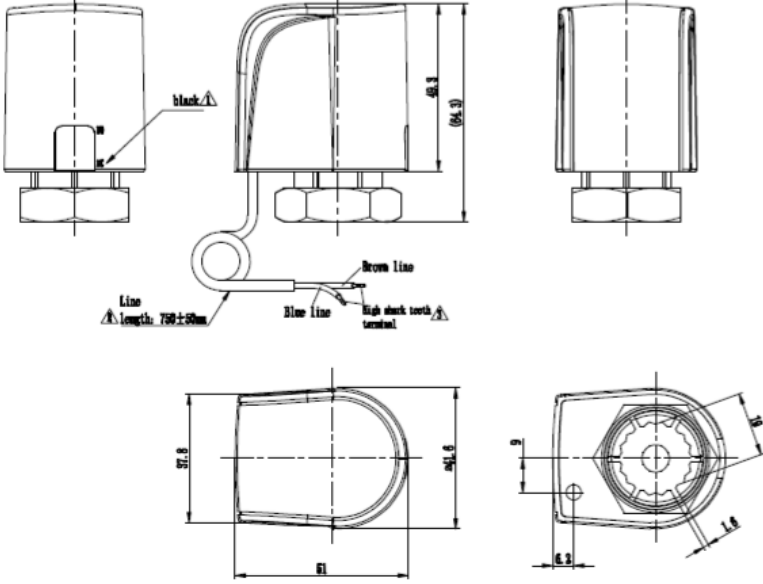
Gdynia 16.09.2019

SONNIGER Polska Sp. z o.o. Sp. K.
 ul. Śląska 35/37, 81-310 Gdynia
 tel. 058 785 34 80, fax 058 785 34 81
 NIP: 586-227-35-14

Infolinia: 0801 055 155
 poland@sonniger.com
 www.sonniger.com

DATA SHEET

Thermal actuator of two-way valve DN15/20

technical parameter	
★Working status	Normally closed
★Voltage	230VAC 50/60Hz
★Maximum operating current	150mA
★Power consumption	2.5W
Fully closed valve / full open valve time	4.5min
★work plan	4m
★Working thrust	90~125N
Connection thread	M20x1.5
Wire specification	2x0.5mm ² , 0.75m white PVC
Note: "★" indicates special characteristics; "0" inner ruler Inch is a non-reference size; "☆" indicates key characteristics	

Edition	A	Revision number	
Design		Standardizing	
Drawing		Approved	
Check			
Technology		Date	

Electrothermal actuator	DR-16B-230B
-------------------------	--------------------