



MANIFOLDS WITH MALE OUTLETS AND BALL VALVE VALVES

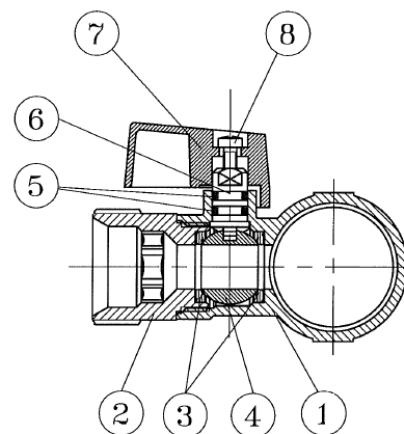
TECHNICAL SPECIFICATIONS

MAX WORKING TEMPERATURE:	100°C (212°F)
MAX WORKING PRESSURE:	10 BAR
THREADS:	ISO 228



MATERIALS

POS.	DESCRIPTION	N.	MATERIAL
1	BODY	1	BRASS CW617N UNI EN 12165
2	UNION	X	BRASS CW614N UNI EN 12164
3	SEAT	Y	PTFE
4	BALL	1	BRASS CW614N UNI EN 12164
5	O-RING	Y	NBR
6	STEM	X	BRASS CW614N UNI EN 12164
7	LEVER HANDLE	X	ALUMINIUM
8	SCREW	X	STEEL



ART.	QTY X	QTY Y
202C	2	4
203C	3	6
204C	4	8

OVERALL DIMENSION

CODE	ØC	ØD	I	H	L
202C	3/4"	3/4"	45	55	103
		1"			
203C	3/4"	3/4"	45	55	148
		1"			
204C	3/4"	3/4"	45	55	193
		1"			

