

1. Main application area:

The Starfix system is suitable for mounting and fixing plastic drainpipes in the diameter range from 50 mm to 160 mm.

It is a hanging system that essentially can be used to fix drainage pipes in place. The Starfix system allows fast and efficient adjustment of the required slope resulting in shorter installation times.

It should be noted that the customary sound insulation standards are adhered to.

2. General regulations

- 2.1 The pipelines must have a minimum separation of 1 cm from the ceiling (see Figure 1).
- 2.2 The maximum separation (see table) must always be adhered to even if the pipe branches.
- 2.3 It must generally be ensured that the Starfix separations are chosen such that fixings can be attached before and after each branching of the pipe.
- 2.4 The slope must be maintained over the entire pipeline system in accordance with the pipe manufacturer's stipulations (e. g. at least 1.5% - 2%).
- 2.5 With fixation of the Varioplate, the retention force of 500N* must be guaranteed.
- 2.6 The maximum load of 500N per Starfix clip must not be exceeded.
- 2.7 Implementation with clamping band is not allowable.
- 2.8 After the Starfix installation is finished, loading of the pipeline system with additional weight is not allowed.



Starfix foot bent



Starshift clip with sound insulation



Varioplate

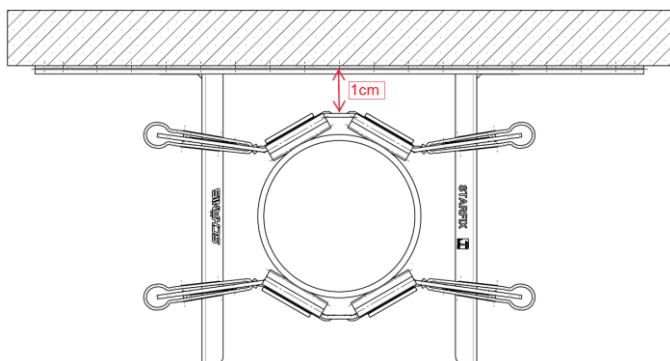


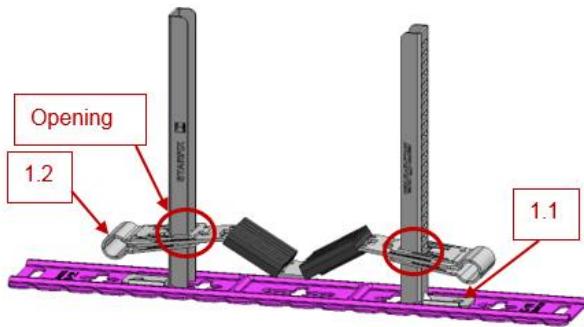
Figure 1

Table / max. Starfix separation
(Recommendation for plastic pipes)

Pipe Ø mm	max. horizontal separation mm	mind. number of Starfix to 10 metres pip line
50	850	12
56	850	12
63	900	12
75	1000	10
90	1050	10
110	1200	9
125	1250	8
160	1400	8

Installation instructions for Starfix clip with Varioplate as a hanging system

Contains: Varioplate, two galvanised bent feet and two clips



2. Fixing the pre-assembly

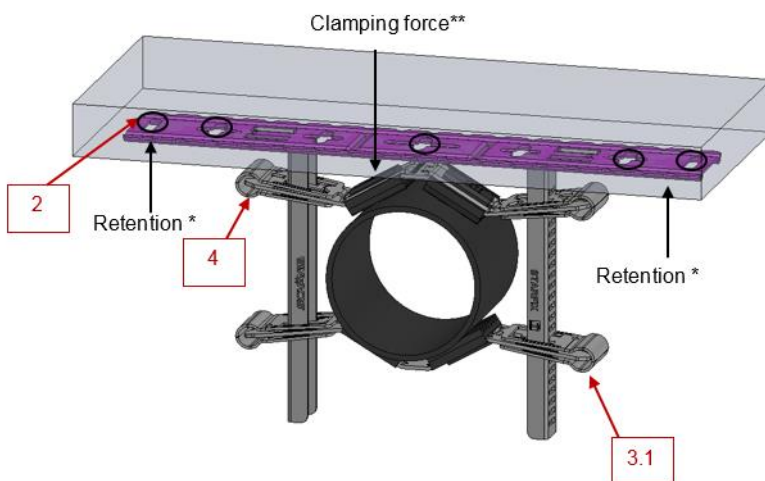
- 2.1 **On concrete:** Place the pre-assembly at 90 degrees to the pipe axis and fix the Varioplate onto the concrete with at least 3 shoot bolts or a concrete screw. The retention force of 500 N* must be guaranteed.

3. Pipe levelling and fixing the bottom clip

- 3.1 When aligning (1.5% - 2% slope) and fixing in place, observe the regulations (Section 2).
Info: The clip is fixed in place by pressing in as far as the bracket stop.

4. Fixing the top clip

- 4.1 In the final installation of the top clip, attention should be paid that the clamping force does not exceed 10N** and that the clip is mounted as horizontal as possible.



1. Pre-assembly

- 1.1 The feet must be inserted into the retaining clips in the Varioplate until they engage.
- 1.2 Insert clips v-shaped and loose through the clip's opening into the feet.
- 1.3 Place entire pre-assembly over the pipe.