

HANDWHEELS AND OPERATING CAPS

MOD. 4780**DN 3/4" - 400**

Handwheel for RACI gate valves or RACI service valves.



SPECIAL FEATURES

- Handwheel in pressed steel protected with high quality epoxy powder coating complete with nut and washer in stainless steel.
- Indelible indication of the direction of opening / closing valve.



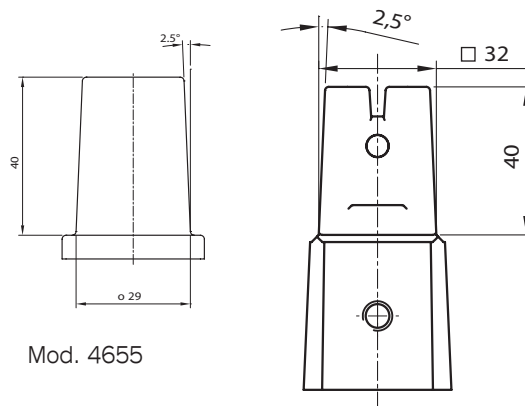
DN	DIAMETER	Weight (kg)
3/4"-2"	100	0,17
40-50	140	0,4
65-80	200	0,7
100	250	1,2
125-150	280	1,7
200	300	2,5
250-300	400	3,5
350-400	600	6,5

MOD. 4655**DN 3/4" - 2"**

Galvanised cast iron operating cap for RACI service valves model 2250-2252-2253-2260-2312-2313-2500.

**MOD. 4650****DN 50 - 300**

Galvanized cast iron operating cap for RACI gate valves model 1041-1042-1051-1100-1200-1201-1300.



Mod. 4655

Mod. 4650