

Raci s.r.l. - via Adriano, 101 20128 Milano -Italy - www.raci.it - tel. +3902262351 - fax +390226235215

One way check valve, flanged version.

Application:

Water, potable water.

Working temperature: $-10^{\circ}\text{C} \div 70^{\circ}\text{C}$

Characteristics:

Designed according to EN 12334;

Tested according to EN 12266-1:

body test at 1.5xPN bar

shell test at 1.1xPN bar

Flange drilling according to EN 1092-2 PN16.

Face to face dimensions according to EN 558-1 series 10.

Internal external epoxy coating average thickness 100 micron.

DESIGN FEATURES

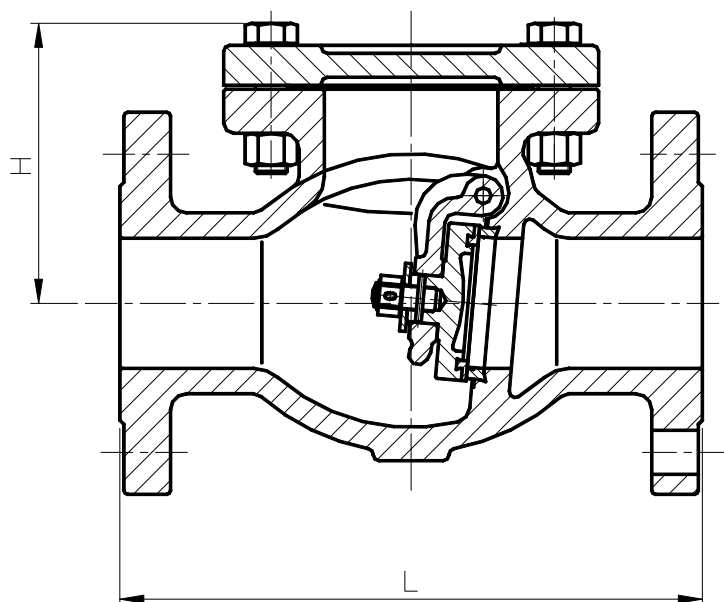
Body: Cast iron EN GJL-250 ASTM A126 classe B

Cover: Cast iron EN GJL-250 ASTM A126 classe B

Disc: Cast iron EN GJL-250 ASTM A126 classe B

Seat ring: Bronze ASTM B62 C83600

Disc ring: Bronze ASTM B62 C83600



OVERALL DIMENSIONS

DN	50	65	80	100	125	150	200	250	300	350	400	450	500	600
L	203	216	241	292	330	356	495	600	700	787	914	914	1016	1219
H	112	132	141	162	192	211	270	346	377	560	589	645	702	812

Dimensions in mm