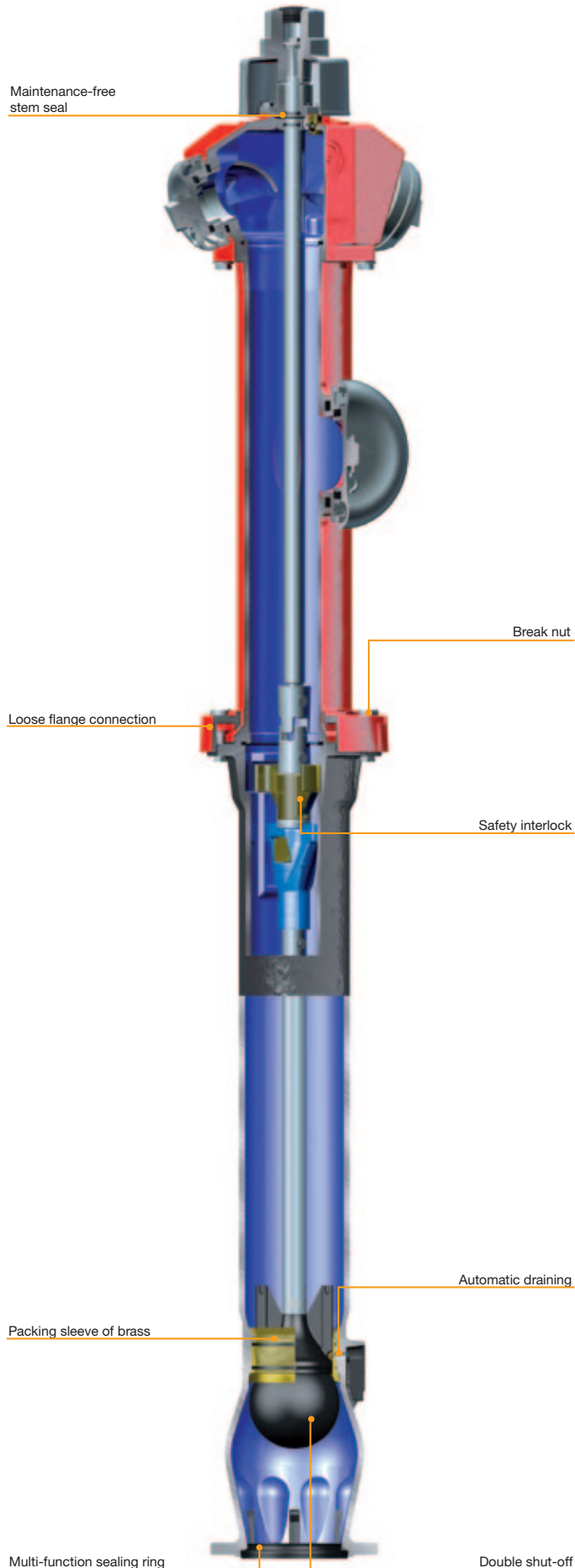


## VAG Hydrants





## VAG NOVA 284 Standpost Hydrant



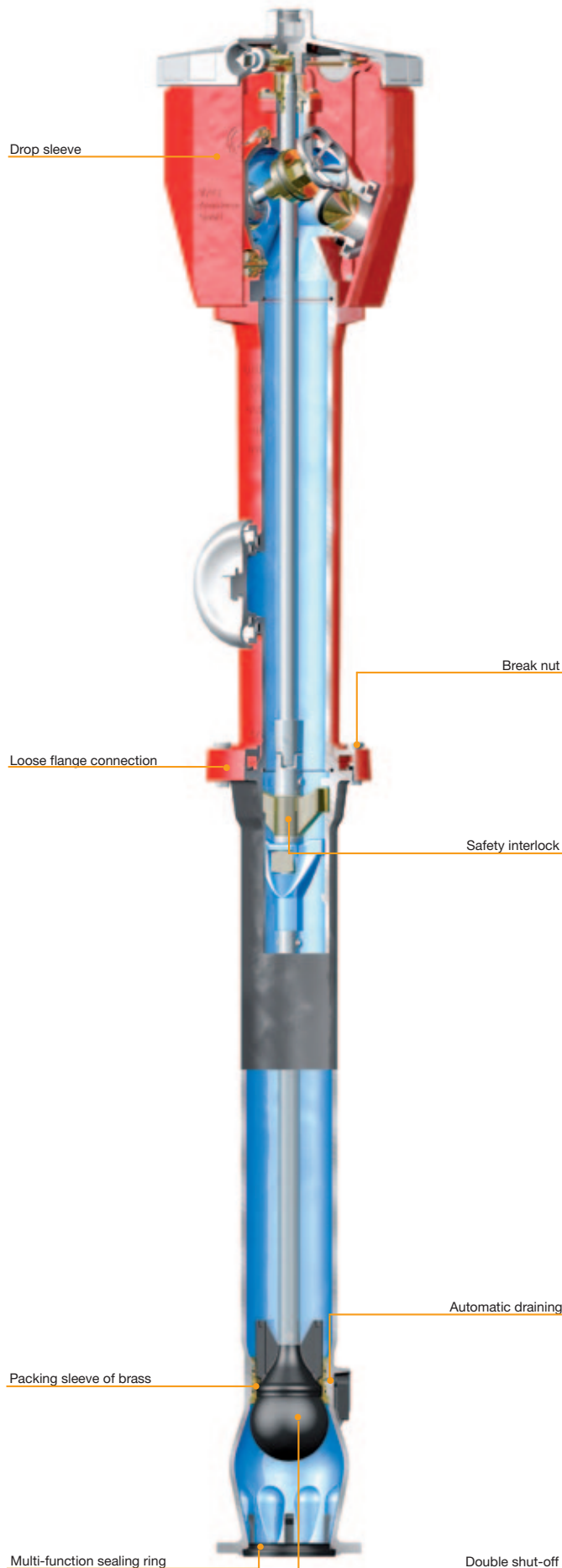
### Technical details

- Nominal pressure PN 16
- Nominal diameter DN 80 / DN 100
- Field of application: Drinking water
- Installation depth
  - DN 80: 1.00 m / 1.25 m / 1.50 m
  - DN 100: 1.25 m / 1.20 m
- Standard model: Upper and lower column as well as hydrant head of ductile iron EN-JS 1050 (GGG-50), valve cone of ductile iron EN-JS 1030 (GGG-40), with double shut-off and rated break point, design type AUD according to DIN EN 1074-6, with flange connection according to EN 1092-2, with two B extractions
- Coating:
  - Lower column: internally true enamel, externally prime enamel with additional acrylic paint
  - Upper parts: internally and externally epoxy coated, externally additional acrylic paint
- Special versions:
  - DN 100 with two upper B extractions and a lower A extraction
  - DN 80 with VAG BAIO<sup>®</sup>plus spigot end

### Product features

- Patented safety interlock to protect maintenance staff.
  - Metallic limit stop in cast iron body prevents “blow out” of the main valve assembly when built-up pipe pressure occurs unintentionally.
  - The removal of the main valve assembly is only possible after first unlocking the bayonet-type lock. This ensures the safety of maintenance staff.
- Automatic draining and pressure water protection, thus safe draining and protection from frost damage.
- Maintenance-free stem seal with O-rings in bearing cover, thus reliability and long service life of the hydrant.
- Loose flange connection on the rated break point allows free alignment of the hydrant.
- Slim design results in significantly reduced weight and simplifies transportation and installation.
- A patented, integrated multi-function sealing ring on the connecting flange significantly reduces the effort required for assembly.
- The use of stainless materials in the draining duct ensures sustained free draining.
- A one-piece lower column avoids the risk of leakage due to the lack of an additional flange connection.
- Reliable seal function via brass seat bushing.

# VAG NOVA 284 Standpost Hydrant with drop jacket



## Technical details

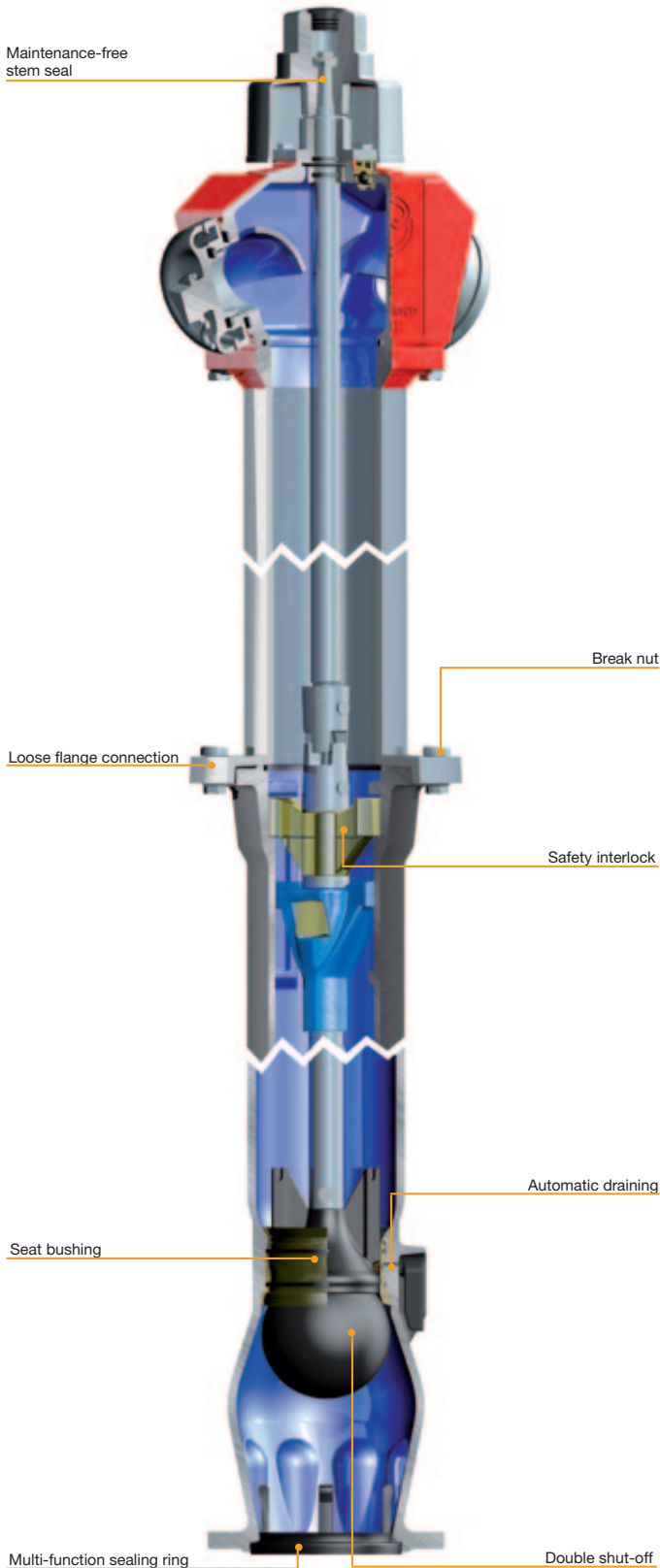
- Nominal pressure PN 16
- Nominal diameter DN 100
- Field of application: Drinking water
- Installation depth: 1.25 m / 1.50 m
- Standard model: Upper and lower column, hydrant and valve head of ductile iron EN-JS 1050 (GGG-50), valve cone of ductile iron EN-JS 1030 (GGG-40), drop sleeve of unbreakable plastic, with double shut-off and rated break point, design type AFUD according to DIN EN 1074-6, with flange connection according to EN 1092-2, with two upper B extractions and one lower A extraction
- Coating:
  - Lower column: internally true enamel, externally prime enamel with additional acrylic paint
  - Upper parts: internally and externally epoxy coated, externally additional acrylic paint

## Product features

- Patented safety interlock to protect maintenance staff.
  - Metallic limit stop in cast iron body prevents “blow out“ of the main valve assembly when built-up pipe pressure occurs unintentionally.
  - The removal of the main valve assembly is only possible after first unlocking the bayonet-type lock. This ensures the safety of maintenance staff.
- Automatic draining and pressure water protection, thus safe draining and protection from frost damage.
- Maintenance-free stem seal with O-rings in bearing cover, thus reliability and long service life of the hydrant.
- Loose flange connection on the rated break point allows free alignment of the hydrant.
- Slim design results in significantly reduced weight and simplifies transportation and installation.
- Quick and easy handling via light and robust drop sleeve as well as a ergonomically-designed cover shape.
- A patented, integrated multi-function sealing ring on the connecting flange significantly reduces the effort required for assembly.
- The use of stainless materials in the draining duct ensures sustained free draining.
- A one-piece lower column avoids the risk of leakage due to the lack of an additional flange connection.
- Reliable seal function via brass seat bushing.



## VAG NOVA NIRO Standpost Hydrant



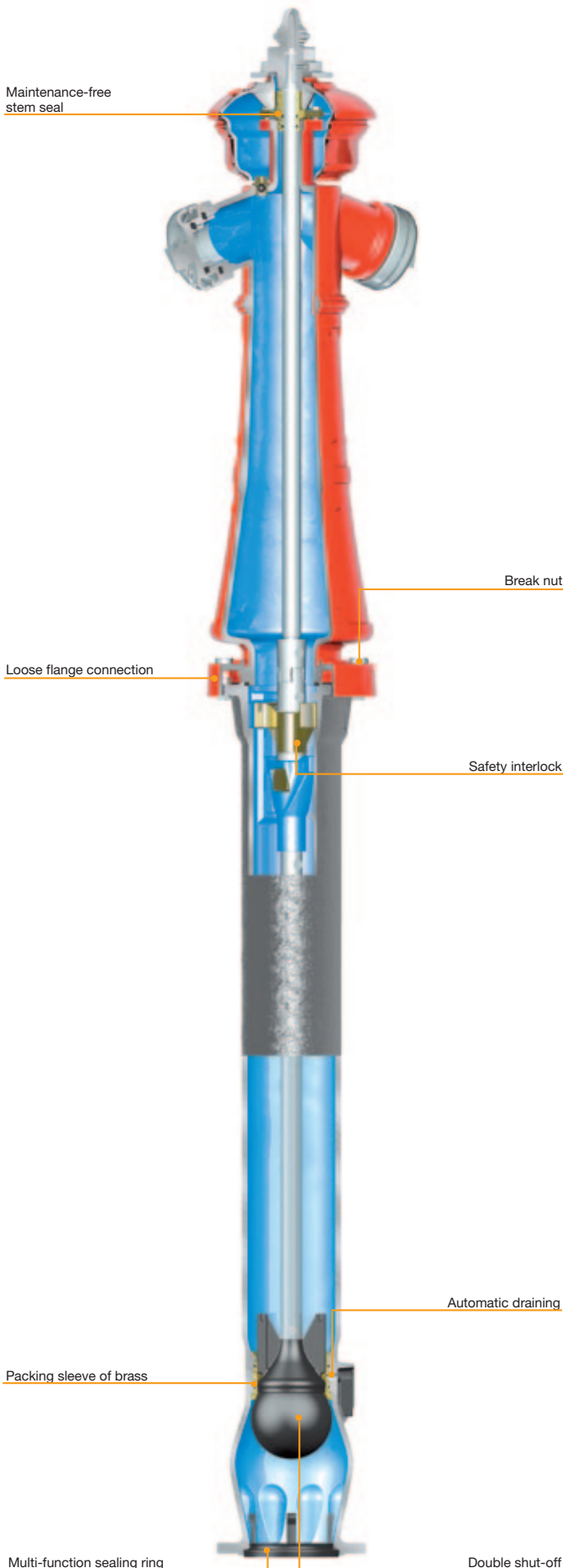
### Technical details

- Nominal pressure PN 16
- Nominal diameter DN 80 / DN 100
- Field of application: Drinking water
- Installation depth
  - DN 80: 1.00 m / 1.25 m / 1.50 m
  - DN 100: 1.25 m / 1.20 m
- Standard model: Valve cone of ductile iron EN-JS 1030 (GGG-40), upper column of stainless steel 1.4301, hydrant head and lower column of ductile iron EN-JS 1050 (GGG-50), with double shut-off and rated break point, design type AUD according to DIN EN 1074-6, with flange connection according to EN 1092-2, with two B extractions
- Coating:
  - Lower column: internally true enamel, externally prime enamel with additional acrylic paint
  - Upper parts: internally and externally epoxy coated, externally additional acrylic paint
- Special versions:
  - DN 100 with two upper B extractions and a lower A extraction

### Product features

- Patented safety interlock to protect maintenance staff.
  - Metallic limit stop in cast iron body prevents “blow out” of the main valve assembly when built-up pipe pressure occurs unintentionally.
  - The removal of the main valve assembly is only possible after first unlocking the bayonet-type lock. This ensures the safety of maintenance staff.
- Maintenance free by manufacturing the upper column completely of corrosion-resistant materials.
- Free alignment of the hydrant via loose flange connection on the hydrant head.
- A patented, integrated multi-function sealing ring on the connecting flange significantly reduces the effort required for assembly.
- The use of stainless materials in the draining duct ensures sustained free draining.
- Automatic draining and pressure water protection, thus safe draining and protection from frost damage.
- A one-piece lower column avoids the risk of leakage due to the lack of an additional flange connection.
- Maintenance-free stem seal with O-rings in bearing cover, thus reliability and long service life of the hydrant.
- Reliable seal function via brass seat bushing.

# VAG NOVA 1885 Standpost Hydrant



## Technical details

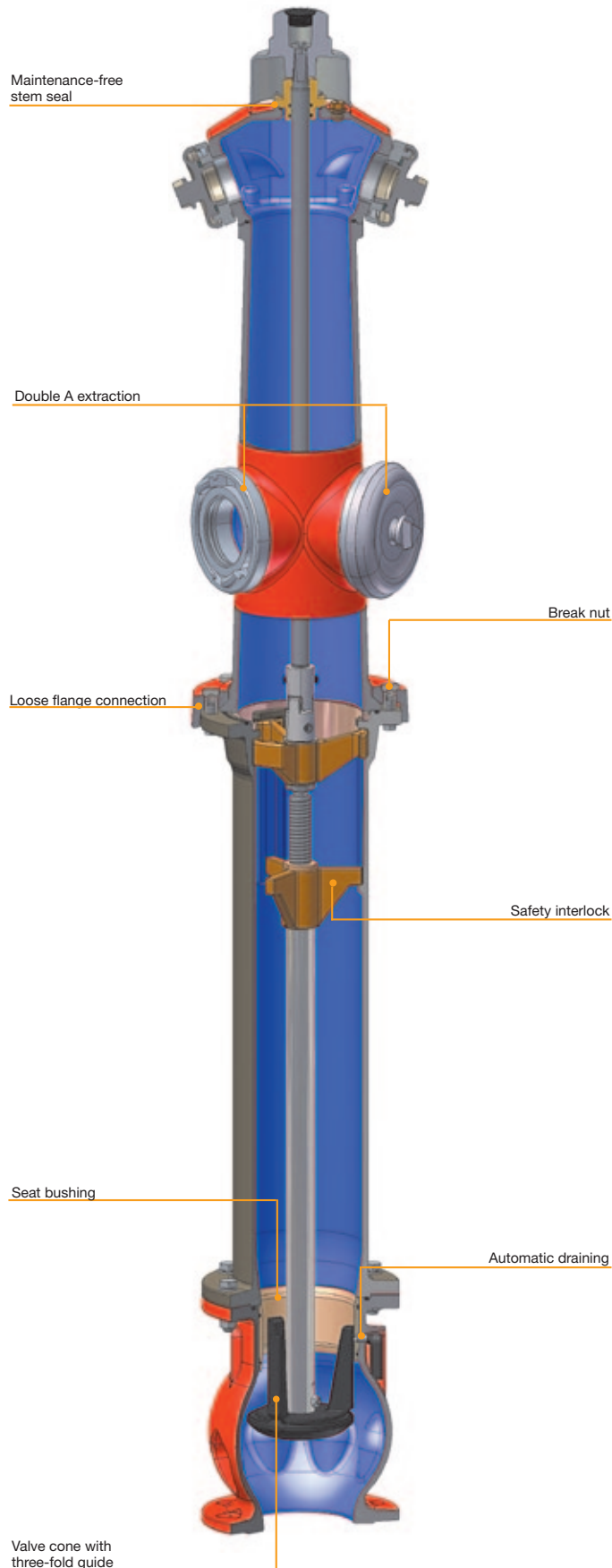
- Nominal pressure PN 16
- Nominal diameter DN 80 / DN 100
- Field of application: Drinking water
- Installation depth
  - DN 80: 1.00 m / 1.25 m / 1.50 m
  - DN 100: 1.25 m / 1.20 m
- Standard model: Valve cone of ductile iron EN-JS 1030 (GGG-40) vulcanized EPDM on all sides, lower and upper column of ductile iron EN-JS 1050 (GGG-50), with double shut-off and rated break point, design type AUD according to DIN EN 1074-6, with flange connection according to EN 1092-2, with two upper B extractions
- Coating:
  - Lower column: internally true enamel, externally prime enamel with additional acrylic paint
  - Upper parts: internally and externally epoxy coated, externally additional acrylic paint
- Special versions:
  - DN 100 with two upper B extractions and one lower A extraction

## Product features

- Patented safety interlock to protect maintenance staff.
  - Metallic limit stop in cast iron body prevents main valve assembly from “blow out“ when built-up pipe pressure occurs unintentionally.
  - The removal of the main valve assembly is only possible after first unlocking the bayonet-type lock. This ensures the safety of maintenance staff.
- Modern safety technology in historical shape, thus especially suited for use in historic town areas.
- The upper column is an exact replica of the first “Reuther” standpost hydrant from 1885.
- Automatic draining and pressure water protection, thus safe draining and protection from frost damage.
- Maintenance-free stem seal with O-rings in bearing cover, thus reliability and long service life of the hydrant.
- A patented, integrated multi-function sealing ring on the connecting flange significantly reduces the effort required for assembly.
- The use of stainless materials in the draining duct ensures sustained free draining.
- A one-piece lower column avoids the risk of leakage due to the lack of an additional flange connection.
- Reliable seal function via brass seat bushing.
- Loose flange connection on the rated break point allows free alignment of the hydrant.



## VAG NOVA DN 150 Standpost Hydrant



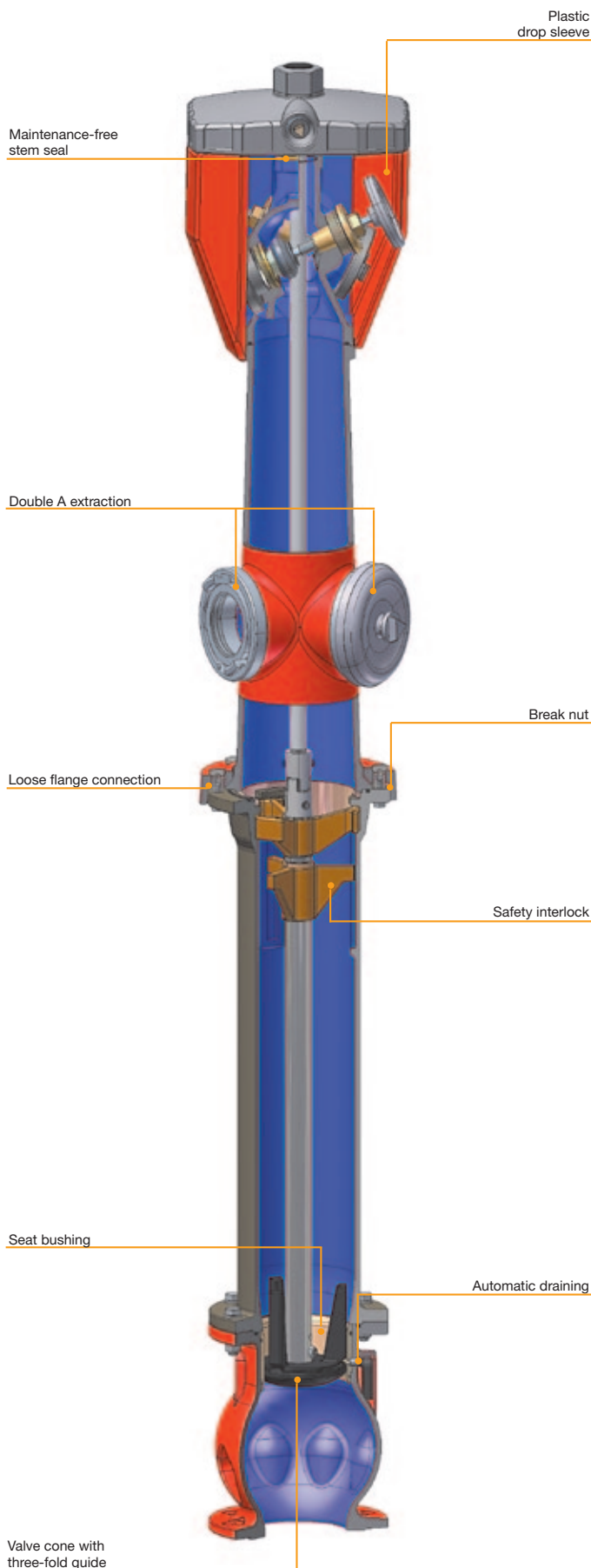
### Technical details

- Nominal pressure PN 16
- Nominal diameter DN 150
- Field of application: Drinking water
- Installation depth: 1.25 m / 1.50 m
- Standard model: Valve cone of ductile iron EN-JS 1030 (GGG-40) vulcanized EPDM on all sides, lower and upper column as well as valve head of ductile iron EN-JS 1050 (GGG-50), with double shut-off and rated break point, design type AU according to DIN EN 1074-6, with flange connection according to EN 1092-2, with two upper B extractions and two lower A extractions
- Coating:
  - Lower column: internally true enamel, externally prime enamel with additional acrylic paint
  - Upper parts: internally and externally epoxy coated, externally additional acrylic paint

### Product features

- Patented safety interlock to protect maintenance staff.
  - Metallic limit stop in cast iron body prevents “blow out“ of the main valve assembly when built-up pipe pressure occurs unintentionally.
  - The removal of the main valve assembly is only possible after first unlocking the bayonet-type lock. This ensures the safety of maintenance staff.
- Industry hydrant with flow-optimised internal profile provides maximum flow performance (740 m<sup>3</sup>/h with 2 A extractions).
- Loose flange connection on the rated break point allows free alignment of the hydrant.
- Automatic draining and pressure water protection, thus safe draining and protection from frost damage.
- Low operating torque via a special combination of materials in the drive section.
- Three-fold guide of the valve cone and defined seal grouping, thus lower operating forces and stabile guidance at high flow rates.
- Reliable seal function via seat bushing of bronze in combination with fully rubber-lined sealing cone.
- Optimised draining with one draining duct of stainless materials with steplike expansion of the inside cross-section reduces the risk of blockage via corrosion and foreign bodies.
- Maintenance-free stem seal with O-rings in bearing cover, thus reliability and long service life of the hydrant.

# VAG NOVA 150 Standpost Hydrant drop jacket



## Technical details

- Nominal pressure PN 16
- Nominal diameter DN 150
- Field of application: Drinking water
- Installation depth: 1.25 m / 1.50 m
- Standard model: Valve cone of ductile iron EN-JS 1030 (GGG-40) vulcanized EPDM on all sides, lower and upper column as well as valve head of ductile iron EN-JS 1050 (GGG-50), with single shut-off and rated break point, design type AFU according to DIN EN 1074-6, with flange connection according to EN 1092-2, with two upper B extractions and two lower A extractions, drop sleeve of unbreakable plastic
- Coating:
  - Lower column: internally true enamel, externally prime enamel with additional acrylic paint
  - Upper parts: internally and externally epoxy coated, externally additional acrylic paint

## Product features

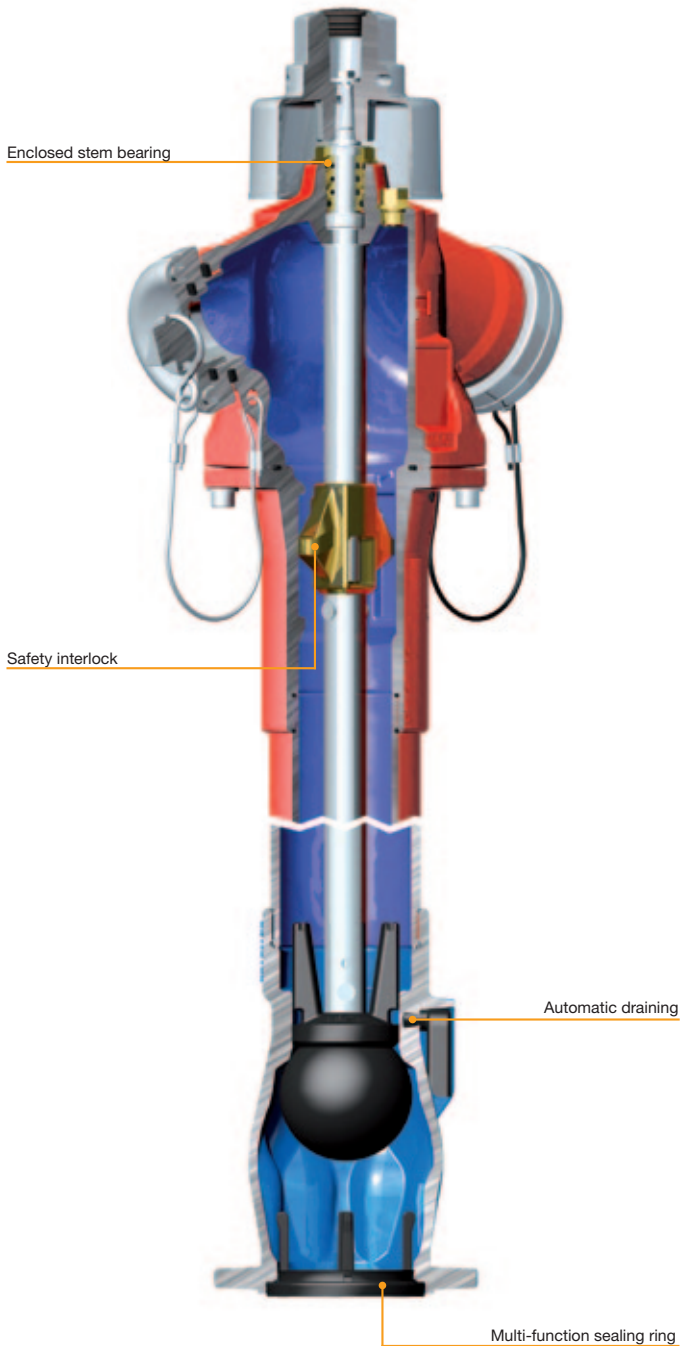
- Patented safety interlock to protect maintenance staff.
  - Metallic limit stop in cast iron body prevents “blow out“ of the main valve assembly when built-up pipe pressure occurs unintentionally.
  - The removal of the main valve assembly is only possible after first unlocking the bayonet-type lock. This ensures the safety of maintenance staff.
- Industry hydrant with flow-optimised internal profile provides maximum flow performance (740 m<sup>3</sup>/h with 2 A extractions).
- Loose flange connection on the rated break point allows free alignment of the hydrant.
- Automatic draining and pressure water protection, thus safe draining and protection from frost damage.
- Low operating torque via a special combination of materials in the drive section.
- Three-fold guide of the valve cone and defined seal grouting, thus lower operating forces and stabile guidance at high flow rates.
- Quick and easy handling via light and robust drop sleeve as well as a ergonomically-designed cover shape.
- Reliable seal function via seat bushing of bronze in combination with fully rubber-lined sealing cone.
- Optimised draining with one draining duct of stainless materials with steplike expansion of the inside cross-section significantly reduces the risk of blockage via corrosion and foreign bodies.
- Maintenance-free stem seal with O-rings in bearing cover, thus reliability and long service life of the hydrant.



## VAG RIGUS Standpost Hydrant

### Technical details

- Nominal pressure PN 16
- Nominal diameter DN 80 / DN 100
- Field of application: Drinking water
- Installation depth: 1.00 m / 1.25 m / 1.50 m
- Standard model: Valve cone of ductile iron EN-JS 1030 (GGG-40) vulcanized EPDM on all sides, upper part, intermediate column and base body of ductile iron EN-JS 1050 (GGG-50), with two upper B extractions, with double shut-off, design type AD according to DIN EN 1074-6, with flange connection according to EN 1092-2
- Coating:
  - Base body internally and externally epoxy coated
  - Hydrant head and upper part externally epoxy coated with additional acrylic paint
- Special versions:
  - DN 80 with two upper C extractions
  - Other installation depths by request

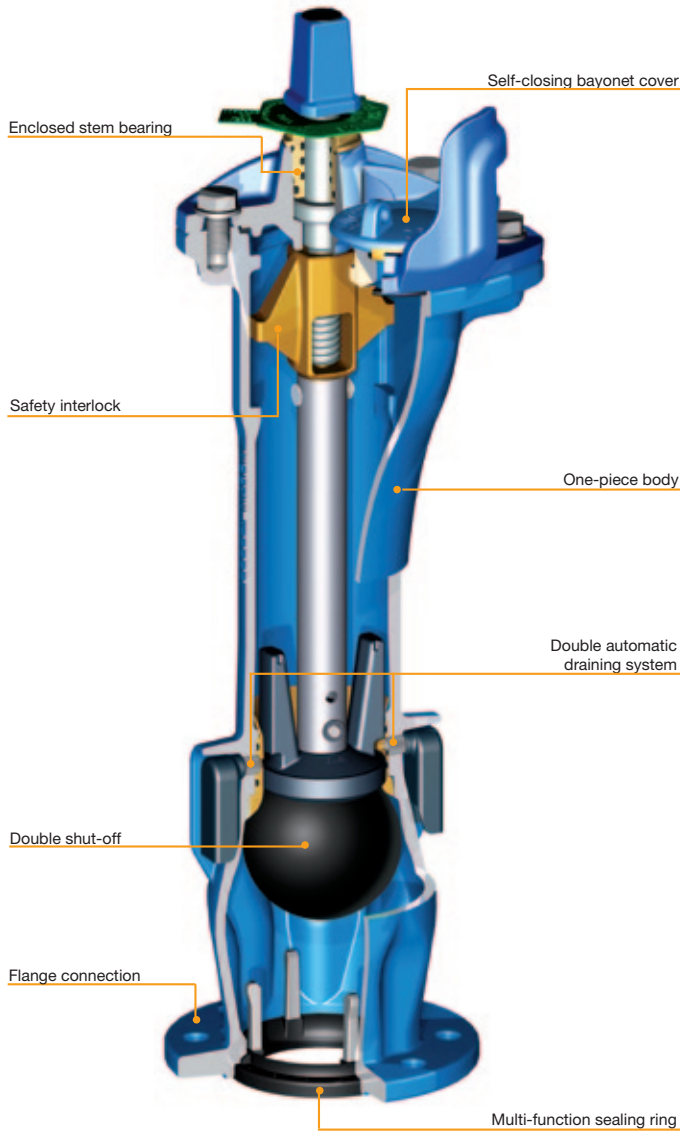


### Product features

- Patented safety interlock to protect maintenance staff.
  - Metallic limit stop in cast iron body prevents “blow out“ of the main valve assembly when built-up pipe pressure occurs unintentionally.
  - The removal of the main valve assembly is only possible after first unlocking the bayonet-type lock. This ensures the safety of maintenance staff.
- Automatic draining and pressure water protection, thus safe draining and protection from frost damage.
- Maintenance-free stem seal with O-rings in bearing cover, thus reliability and long service life of the hydrant.
- A patented, integrated multi-function sealing ring on the connecting flange significantly reduces the effort required for assembly.
- The use of stainless materials in the draining duct ensures sustained free draining.



# VAG HYDRUS® G Underground Hydrant



## Technical details

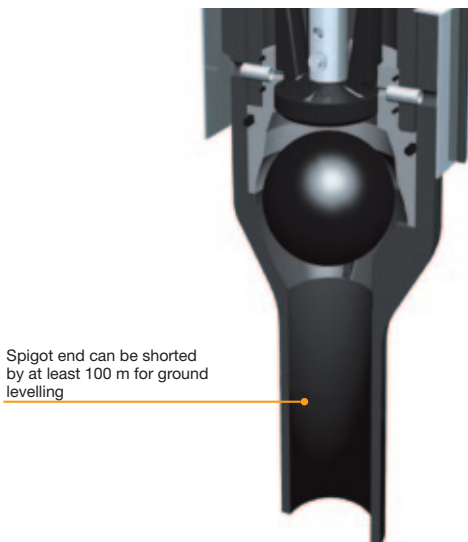
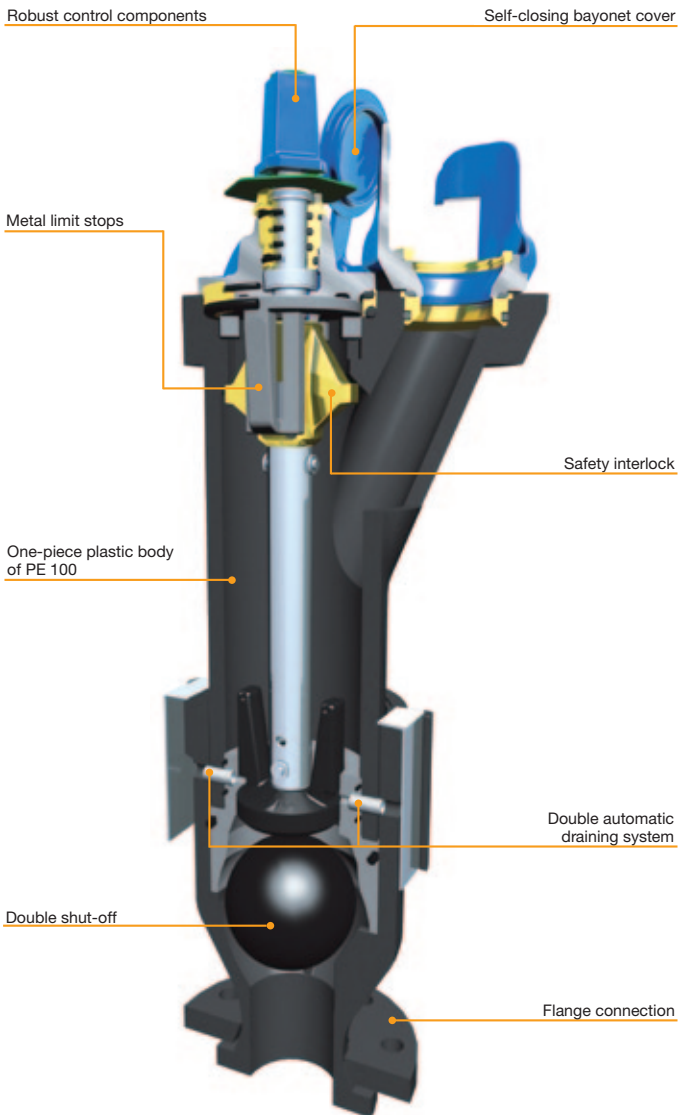
- Nominal pressure PN 16
- Nominal diameter DN 80
- Field of application: Drinking water
- Installation depth: 0.75 m / 1.00 m / 1.25 m / 1.50 m
- Standard model: Jacket, cover and bayonet of ductile iron EN-JS 1050 (GGG-50), valve cone of ductile iron EN-JS 1030 (GGG-40) vulcanized EPDM on all sides, VAG HYDRUS® G1 with single shut-off, design type A or VAG HYDRUS® G2 with double shut-off, design type AD according to DIN EN 1074-6, with flange connection according to EN 1092-2
- Internally true enameled, externally epoxy coated
- Special versions:
  - With spigot end for integration in the VAG BAIO®plus system

## Product features

- Patented safety interlock to protect maintenance staff.
  - Metallic limit stop in cast iron body prevents “blow out“ of the main valve assembly when built-up pipe pressure occurs unintentionally.
  - The removal of the main valve assembly is only possible after first unlocking the bayonet-type lock. This ensures the safety of maintenance staff.
- Enclosed, integrated stem bearing increases reliability and longevity.
- A one-piece jacket avoids the risk of leakage due to an additional flange connection.
- Double automatic draining system and pressure water protection, thus safe draining and protection from frost damage.
- Protection from penetration of dirt via self-closing bayonet cover and bayonet with retaining collars.
- A patented, integrated multi-function sealing ring on the connecting flange significantly reduces the effort required for assembly.
- The use of stainless materials in the draining duct ensures sustained free draining.



## VAG HYDRUS® PE Underground Hydrant



### Technical details

- Nominal pressure PN 16
- Nominal diameter DN 80
- Field of application: Drinking water
- Installation depth: 1.00 m / 1.25 m / 1.50 m
- Standard model: Jacket of PE 100, cover, bayonet and valve cone of ductile iron EN-JS 1030 (GGG-40), valve cone vulcanized EPDM on all sides, with double shut-off, design type AD according to DIN EN 1074-6, with flange connection according to EN 1092-2
- Special versions:
  - With spigot end 90 SDR 11 for welding onto the pipeline

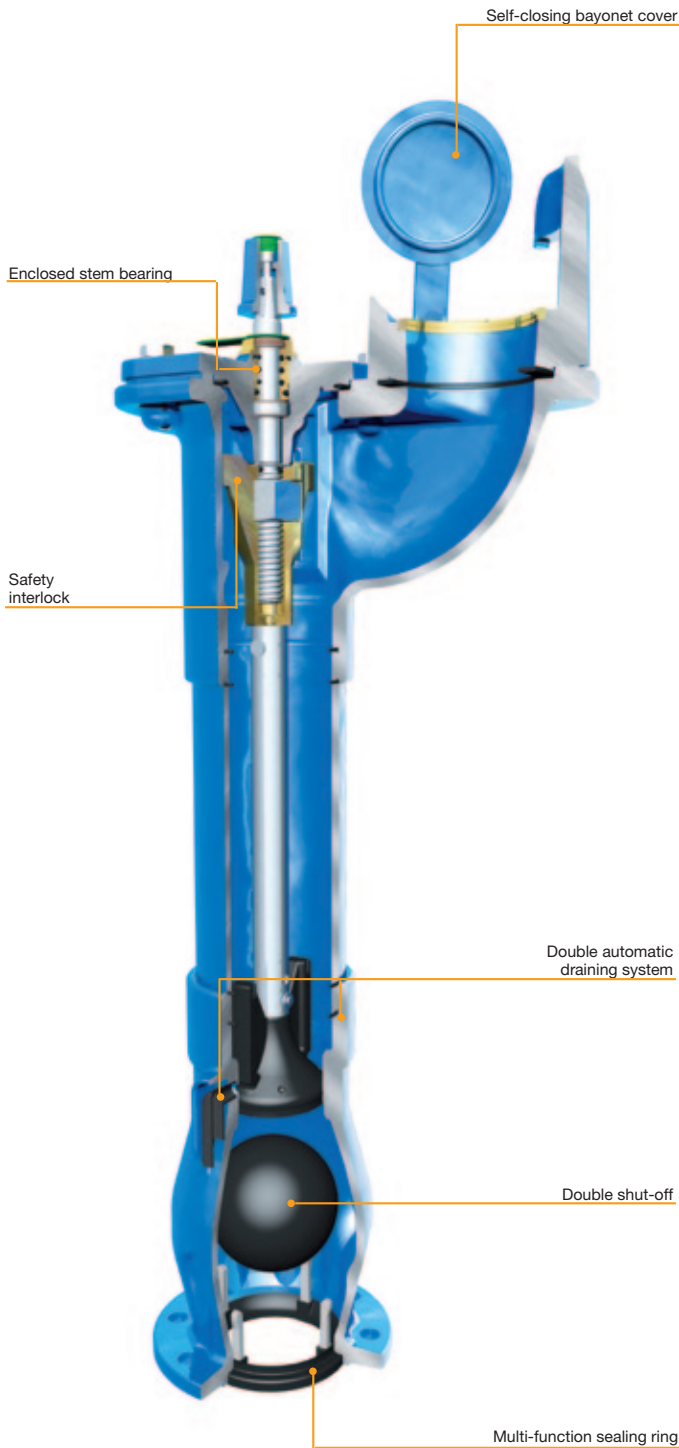
### Product features

- Patented safety interlock to protect maintenance staff.
  - Metallic limit stop in cast iron body prevents “blow out“ of the main valve assembly when built-up pipe pressure occurs unintentionally.
  - The removal of the main valve assembly is only possible after first unlocking the bayonet-type lock. This ensures the safety of maintenance staff.
- Enclosed, integrated stem bearing increases reliability and longevity.
- A one-piece jacket avoids the risk of leakage due to an additional flange connection.
- Corrosion and deposit-resistant jacket.
- Low overall weight simplifies installation.
- Double automatic draining system and pressure water protection, thus safe draining and protection from frost damage.
- Frost-proof design via plastic body.
- Protection from penetration of dirt via self-closing bayonet cover and bayonet with retaining collars.

# VAG HYDRUS® G DN 100 Underground Hydrant

## Technical details

- Nominal pressure PN 16
- Nominal diameter DN 100
- Field of application: Drinking water
- Installation depth: 1.00 m / 1.25 m / 1.50 m
- Standard model: Jacket of cast iron EN-JS 1040 (GG-25), cover and bayonet of ductile iron EN-JS 1050 (GGG-50), valve cone of ductile iron EN-JS 1030 (GGG-40) vulcanized EPDM on all sides
- Internally and externally epoxy coated
- Special versions:
  - VAG HYDRUS® G1 with single shut-off, design type A or
  - VAG HYDRUS® G2 with double shut-off, design type AD according to DIN EN 1074-6
  - With flange connection according to EN 1092-2

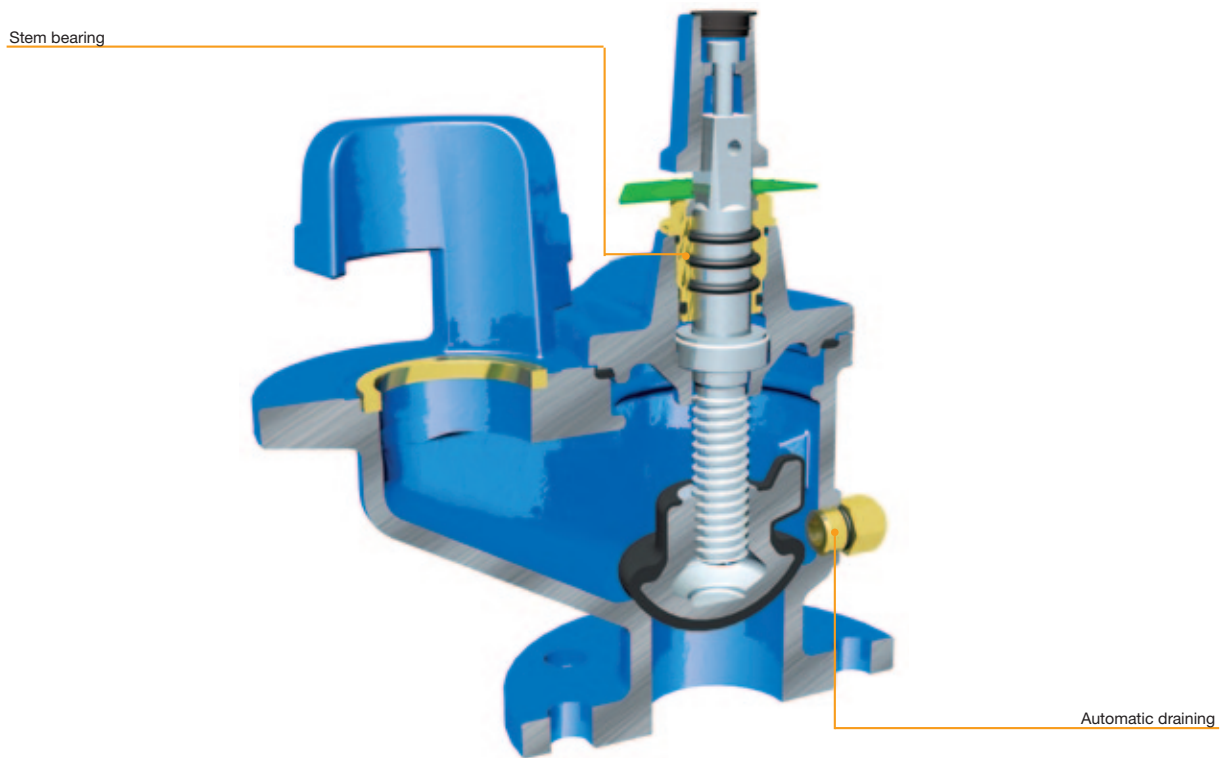


## Product features

- Patented safety interlock to protect maintenance staff.
  - Metallic limit stop in cast iron body prevents “blow out“ of the main valve assembly when built-up pipe pressure occurs unintentionally.
  - The removal of the main valve assembly is only possible after first unlocking the bayonet-type lock. This ensures the safety of maintenance staff.
- Enclosed, integrated stem bearing increases reliability and longevity.
- A patented, integrated multi-function sealing ring on the connecting flange significantly reduces the effort required for assembly.
- The use of stainless materials in the draining duct ensures sustained free draining.
- Double automatic draining system and pressure water protection, thus safe draining and protection from frost damage.
- Protection from penetration of dirt via self-closing bayonet cover and bayonet with retaining collars.



## VAG Underground Hydrant for Low Depth DN 65



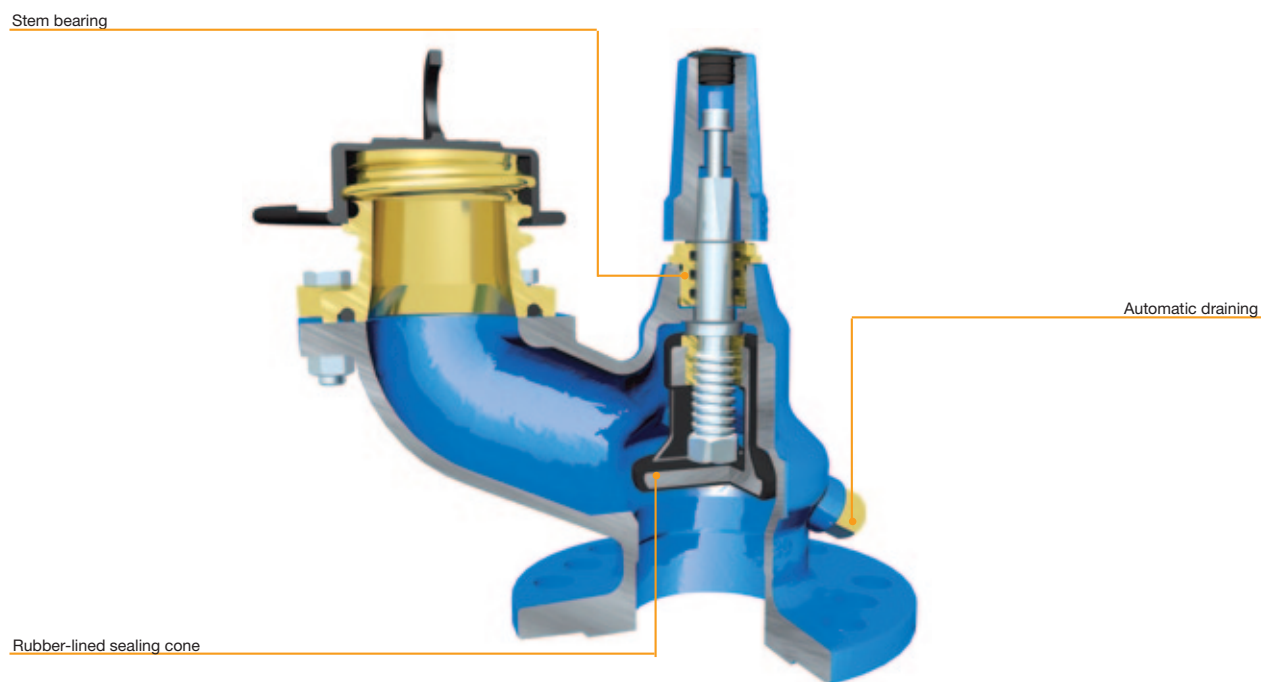
### Technical details

- Nominal pressure PN 10
- Nominal diameter DN 65
- Field of application: Drinking water
- Standard model: Body and valve cone of ductile iron EN-JS 1030 (GGG-40), valve cone vulcanized EPDM on all sides, cover of ductile iron EN-JS 1050 (GGG-50), with flange connection according to Wurttemberg pit specification (Württembergischer Schachteinbau, cylinder boring), body with cast bayonet DN 50
- Internally and externally epoxy coated
- Special versions:
  - Wurttemberg pit specification design (Württembergischer Schachteinbau), cylinder boring (8-hole) for recessed installation
  - Clockwise closing type, with DIN flange (8-hole) for recessed installation
  - With automatic draining

### Product features

- Enclosed, integrated stem bearing increases reliability and longevity.
- Automatic draining and pressure water protection, thus safe draining and protection from frost damage.

## VAG Underground Hydrant BSH



### Technical details

- Nominal pressure PN 10 / PN 16
- Nominal diameter DN 80
- Field of application: Drinking water
- Standard model: Body of ductile iron EN-JS 1030 (GGG-40), BS 2789 grade 420/12, valve cone of ductile iron EN-JS 1030 (GGG-40) vulcanized EPDM on all sides with flange connection according to EN 1092-2 BS10 table D/E, 2 1/2" London round thread outlet
- Internally and externally epoxy coated

### Product features

- Automatic draining prevents, frost damage.
- Low operating torque.
- Shaft seal capable of being replaced while under pressure.



## VAG HYDRUS® GOST Underground Hydrant DN 100

### Technical details

- Nominal pressure PN 16
- Nominal diameter DN 100
- Field of application: Drinking water
- Installation depth: 1.00 m to 4.00 m
- Standard model: Bonnet, base body and valve cone of ductile iron EN-JS 1030 (GGG-40), valve cone also vulcanized EPDM on all sides, connecting piece of stainless steel 1.4301, transition piece of steel ST 37-3, flange connection according to EN 1092-2, G1 with single shut-off, G2 with double shut-off, 6" connection according to GOST 7499-71
- Underground hydrant according to GOST 8220-85
- Internally true enameled, externally epoxy coated



### Product features

- Patented safety interlock to protect maintenance staff.
  - Metallic limit stop in cast iron body prevents main valve assembly from being expelled when built-up pipe pressure is applied unintentionally.
  - The removal of the main valve assembly is only possible after first unlocking the bayonet-type lock. This ensures the safety of maintenance staff.
- A patented, integrated multi-function sealing ring on the connecting flange significantly reduces the effort required for assembly.
- Double automatic draining system and pressure water protection, thus safe draining and protection from frost damage.
- Reliable seal function via brass seat bushing.
- The use of stainless materials in the draining duct ensures sustained free draining.

Multi-function sealing ring





# Reference projects

Jämschwalde Power Plant, Germany  
4 VAG NOVA Standpost Hydrants



Oberstdorf, Deutschland  
40 VAG NOVA NIRO Standpost Hydrants



Zilina, Slovakia  
5 VAG NOVA 150 Standpost Hydrants



Bratislava, Slovakia  
4 VAG NOVA 1885 Standpost Hydrants



www.vag-group.com  
info@vag-group.com

For detailed information about DN, pressure ratings and designs the KAT-A technical documentation is authoritative. The pictures are non-binding.