

SURFACE BOXES


MOD. 4466
DN 50-400
MOD. 4467
DN 3/4" - 2"

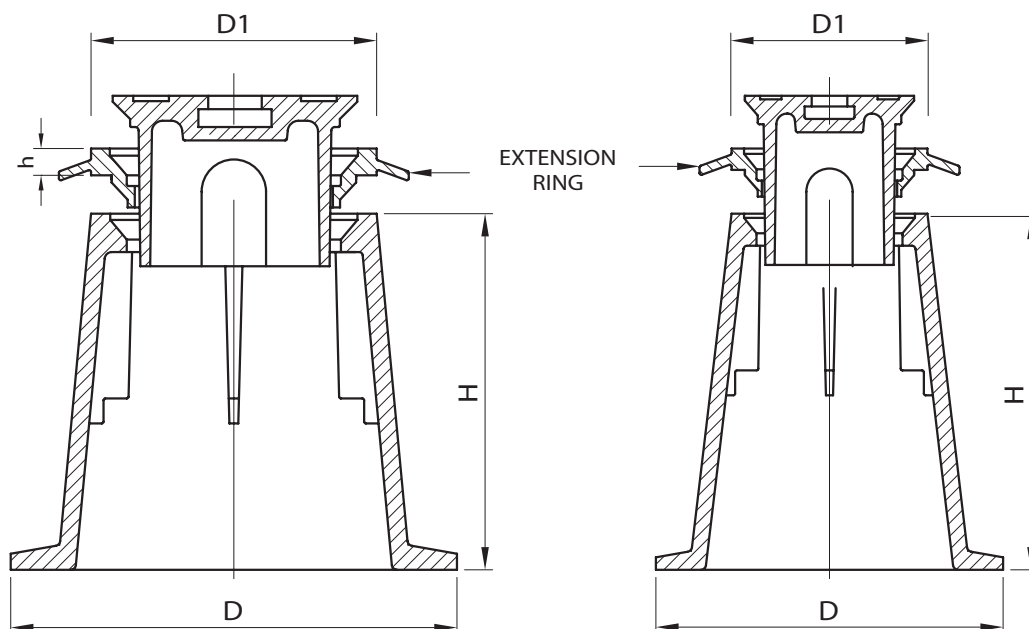
Adjustable surface boxes for RACI gate valves or RACI service valves.

MOD. 4494
DN 50-400
h =15/20/30mm
MOD. 4493
DN 3/4" - 2"
h =15/20/30mm

Extension rings for adjustable surface boxes for RACI gate valves or RACI service valves.

SPECIAL FEATURES

- Cover with cylindrical guide and machined conical seating on body to avoid sliding and noise under traffic stress.
- Adjustable to ground level by extensions rings.
- Non-slip exposed surfaces.
- Wide range of writing on cover (customizable).
- Body, cover and rings in cast iron EN-GJL-250 / EN 1561, on demand ductile iron EN-GJL-400 / EN 1563.



mod.	H	D	D1	Weight (kg)
4466	200	250	110	6,4
4467	200	194	160	11,1

MOD. 4538
MOD. 4539

to be used with surface box mod. 4466
to be used with surface box mod. 4467
Base plate for adjustable surface boxes.



SPECIAL FEATURES

- Base plate for surface boxes and fixing of telescopic extension spindle.
- Realized in galvanized stamped sheet steel DIN St 37.2



MOD. 4455

Oval non adjustable surface boxes for below ground hydrants.



SPECIAL FEATURES

- Realised according to DIN 4055
- Cover blocked on body by fixing screw.
- Non-slip exposed surface.
- IDRANTE written on cover.
- Body and cover in cast iron EN-GJL-250 / EN 1561.



All metal, rubber, and coatings used have been designed for contact with water for human consumption, pursuant to the terms of Italian Health Ministry decree n° 174, dated 6/4/2004.

SURFACE BOXES



MOD. 4401

MOD. 4402

Surface boxes with plastic body for application on sidewalks and roadsides.



SPECIAL FEATURES

- Surface box composed by plastic body and ductile iron cover with high quality EPOXY powder coating, complete with fixing guide stainless steel screw.
- Good chemical resistance and constant geometrical and mechanical characteristics at different temperatures.
- Reduced weight.
- Electrical/chemical corrosion free.
- No obstruction between body and cover due to frost.
- Noisless.

MATERIALS

Body

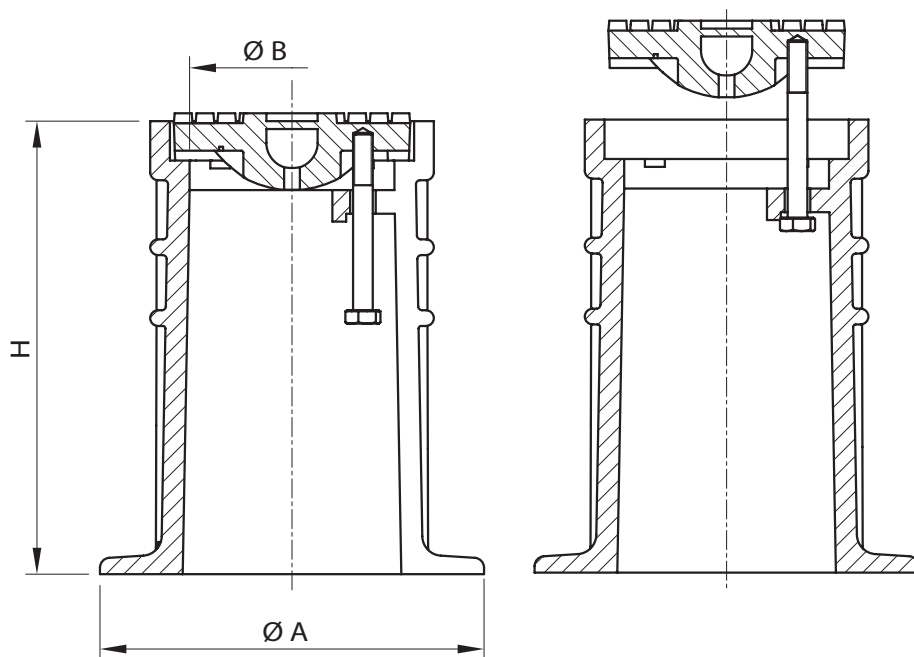
High density polyethylene HDPE

Cover

Ductile iron EN-GJL-400-15 / EN 1563.

Fixing guide screw

Stainless steel A2-70 EN ISO 3506.



	A	B	C	Weight (kg)
MOD. 4410	195	104	230	3
MOD. 4420	270	140	270	5

All metal, rubber, and coatings used have been designed for contact with water for human consumption, pursuant to the terms of Italian Health Ministry decree n° 174, dated 6/4/2004.