

| | | |
|------------------|-------------------------------|------------------|
| MOD. 1041 | PN 10-16 | DN 50-400 |
| | Short body EN 558-1 Series 14 | |
| MOD. 1042 | PN 25 | DN 50-300 |
| | Short body EN 558-1 Series 14 | |
| MOD. 1051 | PN 10-16 | DN 50-400 |
| | Long body EN 558-1 Series 15 | |

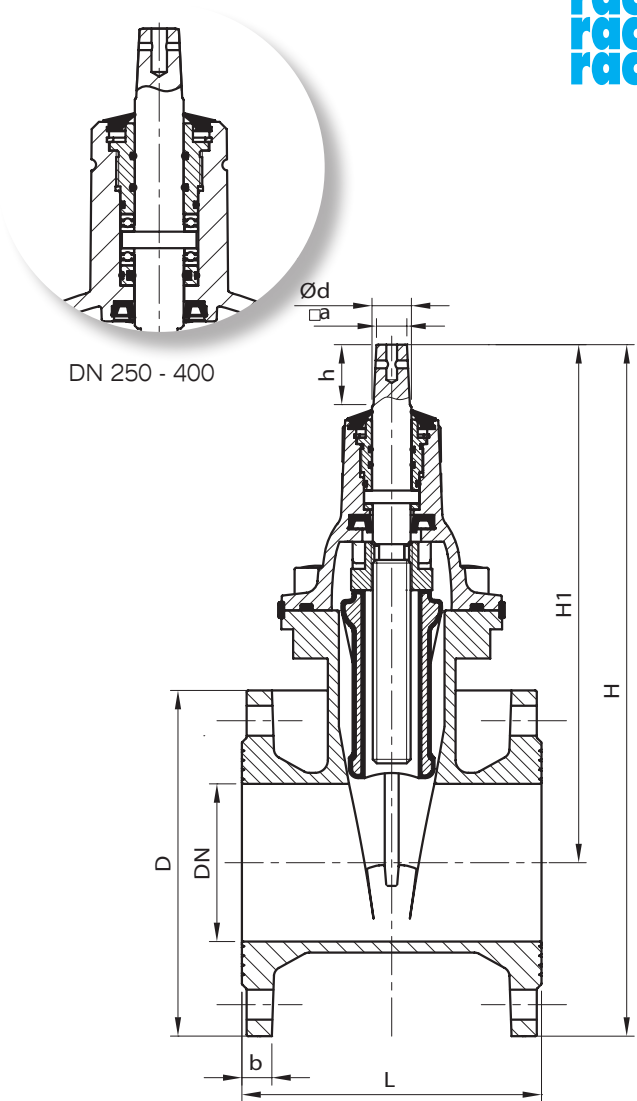


SPECIAL FEATURES

- Manufactured according to the requirements of EN 1074 and EN 1171 (min. torque strength Class2).
- Certified and marked by third part body as production supervisor.
- Body and bonnet high quality EPOXY powder coated (fusion bonded), coating thickness DFT min. 250 micron, zero porosity (tested with 3000V), high impact resistance and cross-linkage according to DIN 30677-2 and DIN 3476.
- Multiple O-Ring spindle sealing system embedded in non-corrosive material to DIN 3547-1 and additional back lip-seal for double security.
- O-Rings changeable under pressure to ISO 7259.
- Non-rising stainless steel spindle (single forged round bar with rolled threading).
- Wedge inside and outside fully rubber vulcanised, with drain hole and special guiding rails to minimize friction.
- Solid flexible wedge nut from corrosion free material .
- Gliding disc on the spindle neck to reduce friction when operating the spindle. From DN 250 and bigger with additional axial roller bearing.
- Bolts protected against corrosion by special resin.
- Protection ring between body and bonnet to reduce risk of damages on the coating due to mechanical impacts during transport, handling and installation.
- Markings following EN 19.
- Manual operation by handwheel, operating cap, extension spindle (underground installation).
- Motorisation by electric actuator.



All metal, rubber, and coatings used have been designed for contact with water for human consumption, pursuant to the terms of Italian Health Ministry decree n° 174, dated 6/4/2004.



DN 250 - 400

MATERIALS

Body and bonnet:

Ductile iron EN-GJS-400-15/EN 1563 (former to DIN GGG40)

Spindle:

Stainless steel 1.4021/EN ISO 10088 (equivalent to UNI X20Cr13 or AISI 420)

Wedge:

Ductile iron EN-GJS-400-15/EN 1563 (former to DIN GGG40), EPDM rubber vulcanised, potable water approved

Wedge nut:

Brass CuZn40Pb2

O-Ring bush:

Brass CuZn40Pb2

Gliding disc:

POM

Back lip seal bonnet seal and dust cap:

EPDM rubber, potable water approved

Bonnet allen screws:

Steel class 8.8 to EN ISO 898, corrosion protected by special seal

Protection ring:

Reinforced plastic material

| DN | PN | L | | | H | H1 | D | b | ød | a | h | Weight (kg) | | | Actuator model | Weight c/w actuator | | | |
|-----|----|------|------|------|------|-----|-----|------|----|-----------|----|-------------|------|------|----------------|---------------------|------|------|---|
| | | 1041 | 1042 | 1051 | | | | | | | | 1041 | 1042 | 1051 | | 1041 | 1042 | 1051 | |
| 50 | 10 | 150 | - | 250 | 330 | 250 | 165 | 19 | 21 | 17,8-14,8 | 30 | 10 | - | 14 | SA07.6 | 31 | - | 35 | |
| | 16 | - | 150 | - | | | | | | | | - | 10 | - | | - | - | 31 | - |
| | 25 | - | - | - | | | | | | | | - | - | - | | - | - | - | - |
| 65 | 10 | 170 | - | 270 | 370 | 280 | 185 | 19 | 24 | 20,8-17,3 | 35 | 12,5 | - | 18 | SA07.6 | 33,5 | - | 39 | |
| | 16 | - | 170 | - | | | | | | | | - | 12,5 | - | | - | - | 33,5 | - |
| | 25 | - | - | - | | | | | | | | - | - | - | | - | - | - | - |
| 80 | 10 | 180 | - | 280 | 410 | 310 | 200 | 19 | 24 | 20,8-17,3 | 35 | 16 | - | 21,5 | SA10.2 | 41 | - | 46,5 | |
| | 16 | - | 180 | - | | | | | | | | - | 16 | - | | - | - | 41 | - |
| | 25 | - | - | - | | | | | | | | - | - | - | | - | - | - | - |
| 100 | 10 | 190 | - | 300 | 460 | 350 | 220 | 19 | 24 | 23-19,3 | 38 | 20 | - | 28,5 | SA10.2 | 45 | - | 53,5 | |
| | 16 | - | 190 | - | | | | | | | | - | 20 | - | | - | - | 45 | - |
| | 25 | - | - | - | | | | | | | | - | - | - | | - | - | - | - |
| 125 | 10 | 200 | - | 325 | 530 | 400 | 250 | 19 | 27 | 23-19,3 | 38 | 27 | - | 39 | SA10.2 | 52 | - | 64 | |
| | 16 | - | 200 | - | | | | | | | | - | 27 | - | | - | - | 52 | - |
| | 25 | - | - | - | | | | | | | | - | - | - | | - | - | - | - |
| 150 | 10 | 210 | - | 350 | 580 | 400 | 285 | 19 | 27 | 23-19,3 | 38 | 34 | - | 49 | SA10.2 | 59 | - | 74 | |
| | 16 | - | 210 | - | | | | | | | | - | 34 | - | | - | - | 59 | - |
| | 25 | - | - | - | | | | | | | | - | - | - | | - | - | - | - |
| 200 | 10 | 230 | - | 400 | 705 | 535 | 340 | 20 | 32 | 29-24,3 | 48 | 56 | - | 85 | SA14.2 | 106 | - | 135 | |
| | 16 | - | 230 | - | | | | | | | | - | 60 | - | | - | - | 110 | - |
| | 25 | - | - | - | | | | | | | | - | - | - | | - | - | - | - |
| 250 | 10 | 250 | - | 450 | 870 | 670 | 405 | 22 | 33 | 32-27,3 | 48 | 86 | - | 128 | SA14.2 | 136 | - | 178 | |
| | 16 | - | 250 | - | | | | | | | | - | 93 | - | | - | - | - | - |
| | 25 | - | - | - | | | | | | | | - | - | - | | - | - | - | - |
| 300 | 10 | 270 | - | 500 | 980 | 750 | 460 | 24,5 | 33 | 32-27,3 | 48 | 115 | - | 203 | SA14.6 | 170 | - | 258 | |
| | 16 | - | 270 | - | | | | | | | | - | 128 | - | | - | - | - | - |
| | 25 | - | - | - | | | | | | | | - | - | - | | - | - | - | - |
| 350 | 10 | 290 | - | 550 | 1075 | 810 | 520 | 28 | 40 | 37,6-32 | 55 | 200 | - | 230 | SA14.6 | 255 | - | 285 | |
| | 16 | - | - | - | | | | | | | | - | - | - | | - | - | - | - |
| 400 | 10 | 310 | - | 600 | 1180 | 885 | 580 | 28 | 40 | 37,6-32 | 55 | 260 | - | 300 | SA14.6 | 315 | - | 355 | |
| | 16 | - | - | - | | | | | | | | - | - | - | | - | - | - | - |

All metal, rubber, and coatings used have been designed for contact with water for human consumption, pursuant to the terms of Italian Health Ministry decree n° 174, dated 6/4/2004.